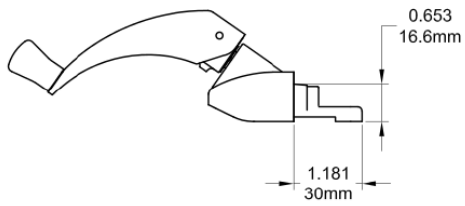
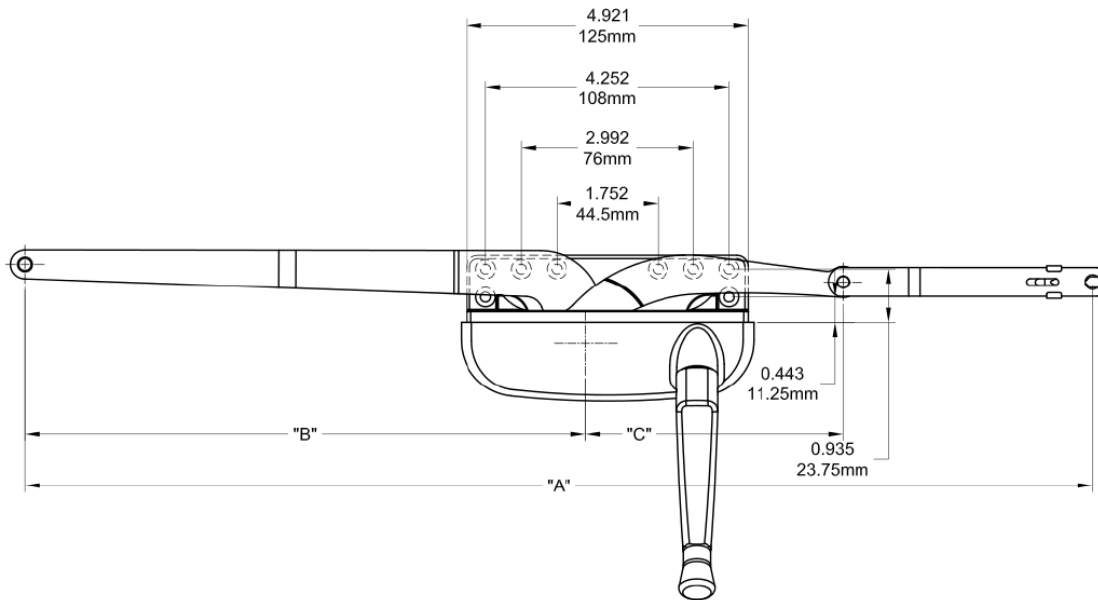
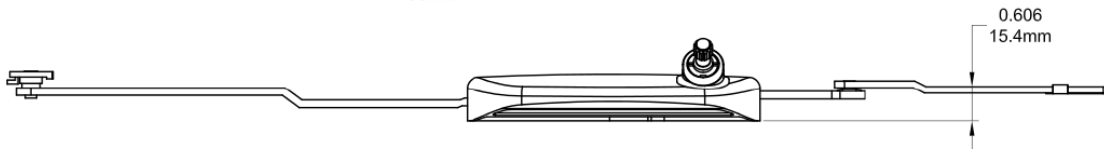


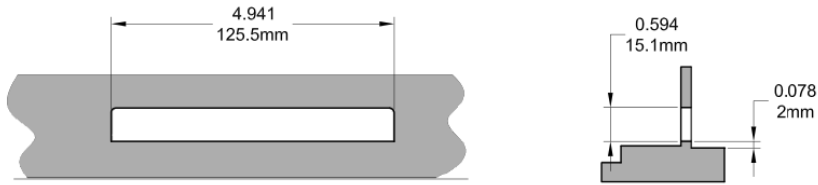
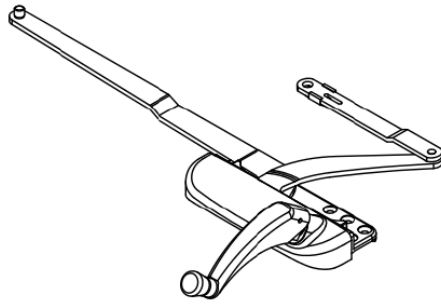
# Grande Case Dual Arm Operator (Sill Mount)



LEFT HAND SHOWN

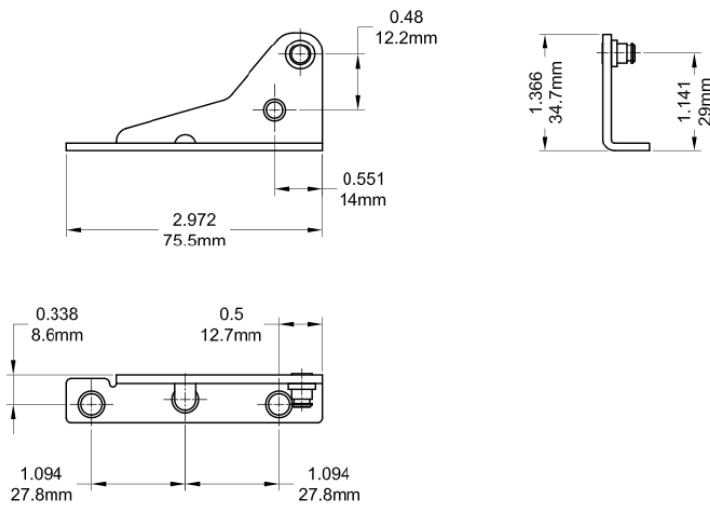


Product Name	Part Number	" A "	" B "	" C "
Grande Dual Arm Operator , RH	132626-R	18.834"	9.964"	4.5"
Grande Dual Arm Operator , LH	132626-L	18.834"	9.964"	4.5"
Grande Short Arm Dual Arm Operator , RH	132626S-R	15.945"	8.4"	3.6"
Grande Short Arm Dual Arm Operator , LH	132626S-L	15.945"	8.4"	3.6"



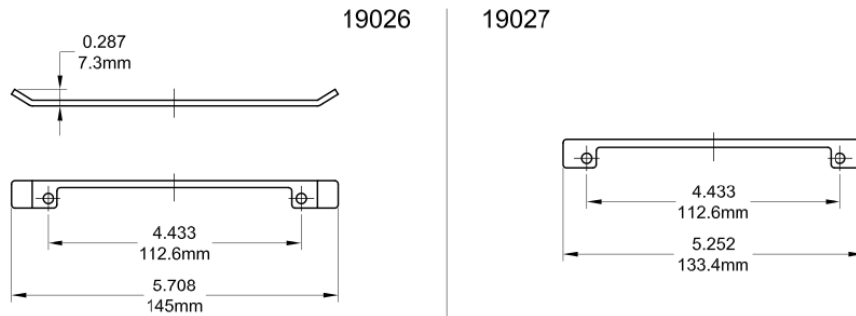
Profile Cut Out

Stud Bracket (Right Hand Shown)

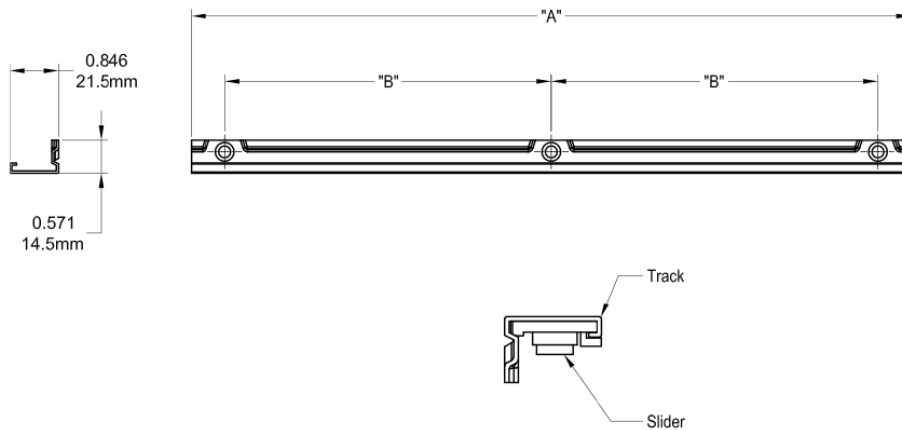


Part Number	Material	Hand
70455	SST	RH
70456	SST	LH
190455	Steel	RH
190456	Steel	LH

## Back Plate



## Track



Dual Arm Operator Track 3 Holes			
Part Number	" A "	" B "	Material
70051R1	14.449"	6.496"	SST
190051R1	14.449"	6.496"	Steel
70052R1	12.598"	5.708"	SST
190052R1	12.598"	5.708"	Steel