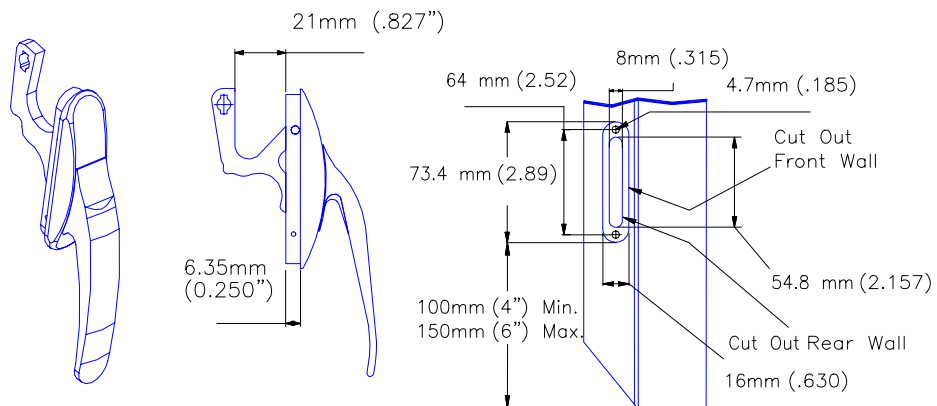


**Casement - Locking Handle**

**Part Number: 132-504—Acme Multi-lock Handle - White**

**Qty/Ctn: 100**

**Kg. per Ctn: 15**

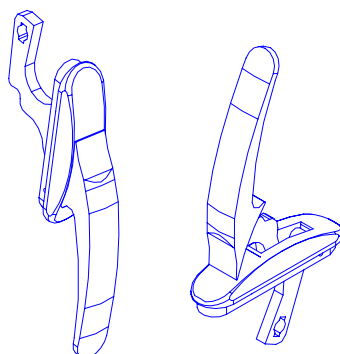


**Part Number: 136-504—Acme Multi-lock Handle - (Beige)**

**Qty/Ctn: 100**

**Kg. per Ctn: 15**

**Beige Color**



**Casement - Locking Handle 2 Items**

Casement - 2 Bar Hinges

Part Number: 19010-00-A—Adj - 10" RH - Hinge ARM

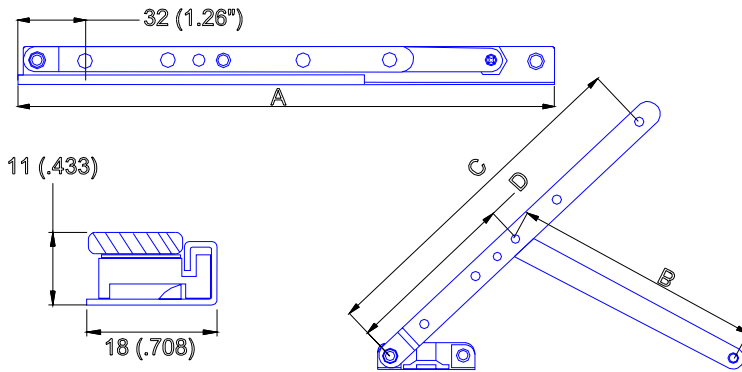
Qty/Ctn: 100

Kg. per Ctn: 8

B = 127 mm (5.00")

C = 176 mm (6.93")

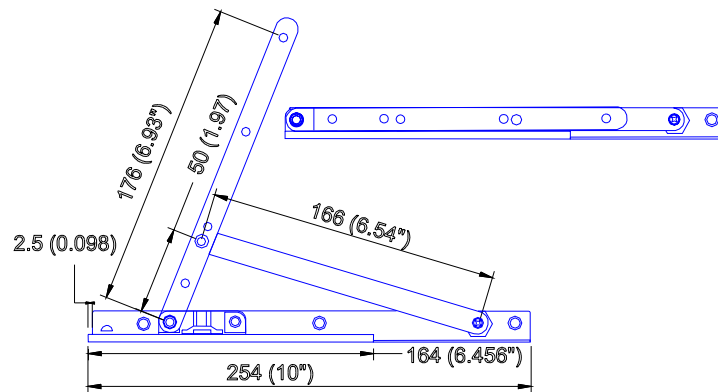
D = 88 mm (3.46")



Part Number: 19010-00-E—Adj - 10" RH - Hinge -E Type

Qty/Ctn: 100

Kg. per Ctn: 16



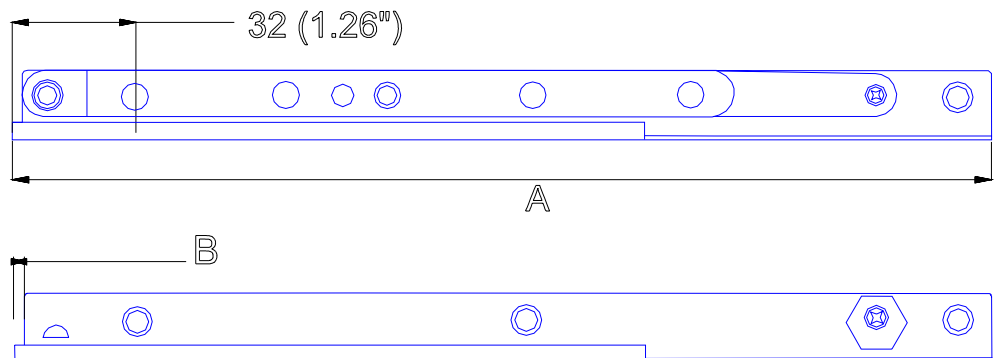
Part Number: 19010-00-T—Adj - 10" RH - Hinge TRACK

Qty/Ctn: 100

Kg. per Ctn: 8

A = 254 mm (10")

B = 2.10 mm (0.083")



Casement - 2 Bar Hinges

Part Number: 19010-01-A—Adj - 10" LH - Hinge ARM

Qty/Ctn: 100

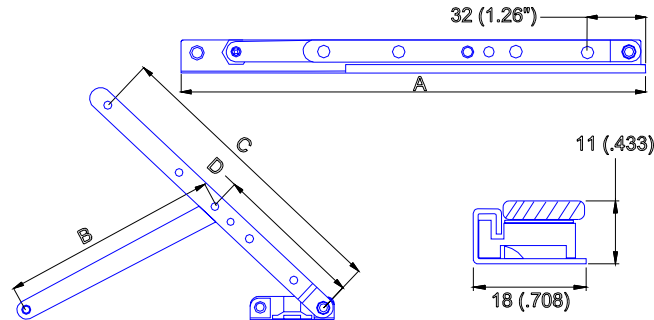
Kg. per Ctn: 8

A = 254 mm (10")

B = 127 mm (5.00")

C = 176 mm (6.93")

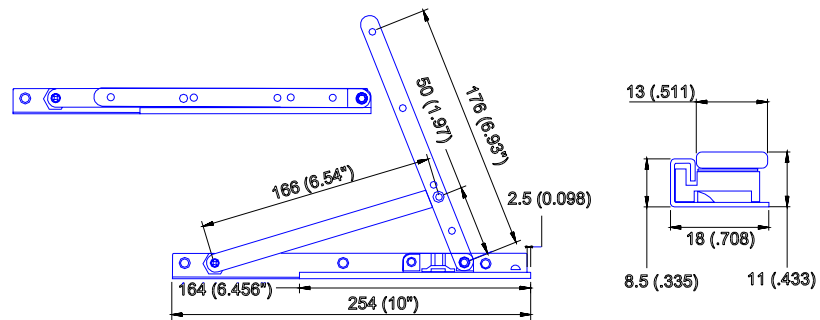
D = 88 mm (3.46")



Part Number: 19010-01-E—Adj - 10" LH - Hinge - E Type

Qty/Ctn: 100

Kg. per Ctn: 16



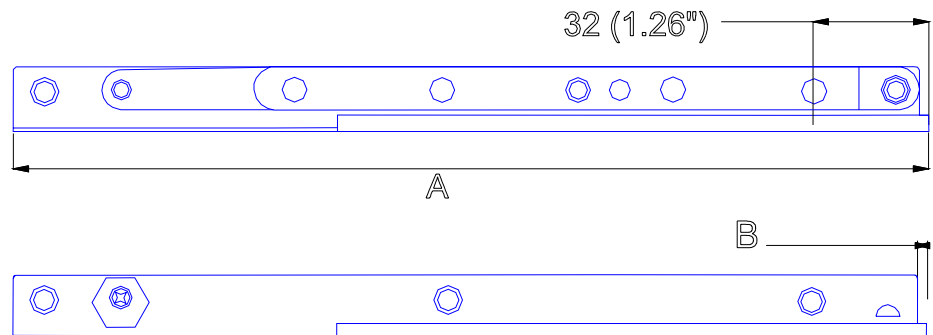
Part Number: 19010-01-T—Adj - 10" LH - Hinge TRACK

Qty/Ctn: 100

Kg. per Ctn: 8

A = 254 mm (10")

B = 2.10 mm (0.083")



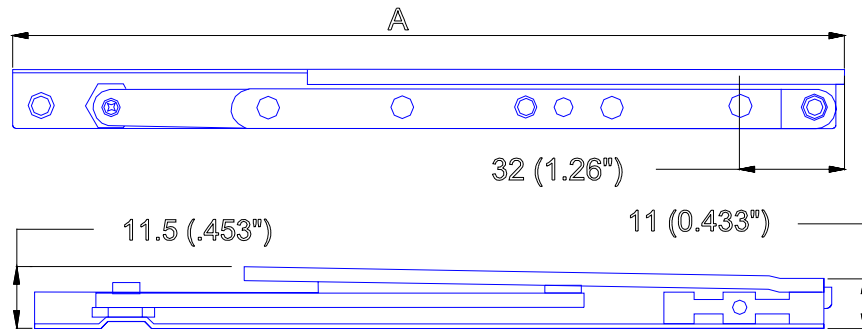
Casement - 2 Bar Hinges

Part Number: 19014-00—RH-14" Hinge - Adjustable

Qty/Ctn: 100

Kg. per Ctn: 18

A = 356 mm (14")



Part Number: 19014-01—LH-14" Hinge - Adjustable

Qty/Ctn: 100

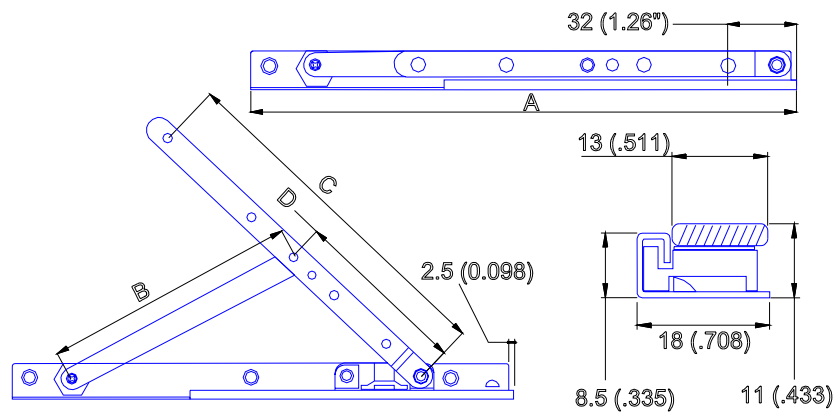
Kg. per Ctn: 18

A = 356 mm (14")

B = 191 mm (7.52")

C = 157 mm (6.18")

D = 127 mm (5.00")

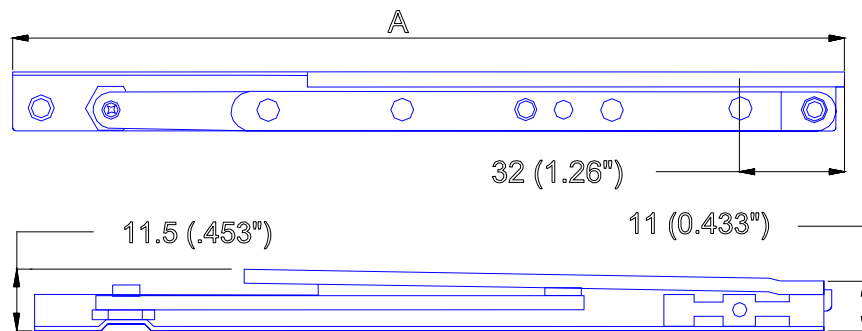


Part Number: 19018-00—RH-18" Hinge - Adjustable

Qty/Ctn: 100

Kg. per Ctn: 25

A = 457 mm (18")



Casement - 2 Bar Hinges

Part Number: 19018-01—LH-18" Hinge - Adjustable

Qty/Ctn: 100

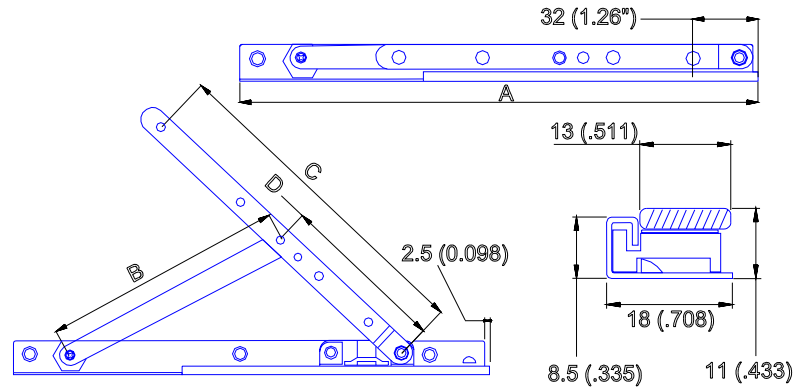
Kg. per Ctn: 25

A = 457 mm (18")

B = 242 mm (9.53")

C = 202 mm (7.95")

D = 177 mm (6.97")

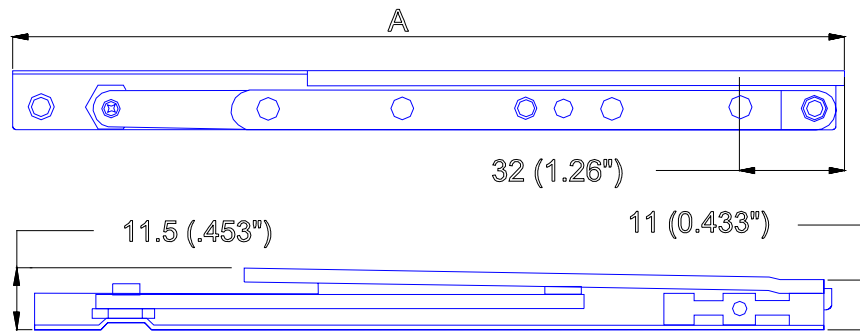


Part Number: 19024-00—RH-24" Hinge - Adjustable

Qty/Ctn: 100

Kg. per Ctn: 31

A = 609 mm (24")



Part Number: 19024-01—LH-24" Hinge - Adjustable

Qty/Ctn: 100

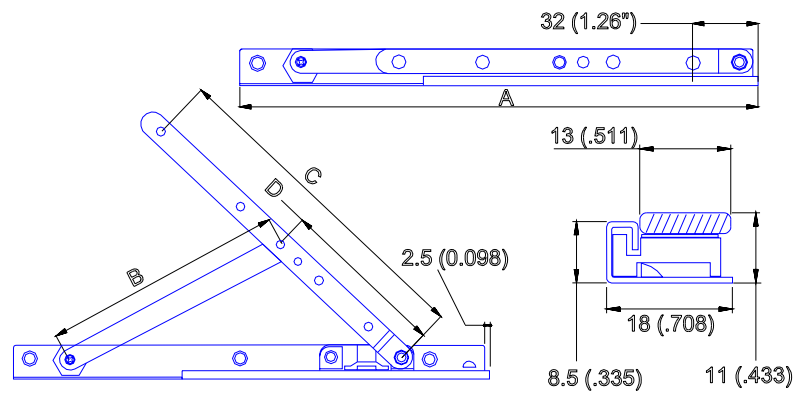
Kg. per Ctn: 31

A = 609 mm (24")

B = 217 mm (12.48")

C = 279 mm (10.98")

D = 254 mm (10")



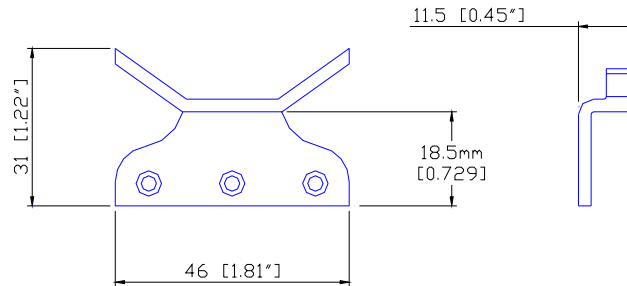
Casement - Keepers - Single/Multi-locking

Part Number: 19050—PVC Multi Lock Keeper - PW

Qty/Ctn: 1,000

Kg. per Ctn: 13

P/N: 1329050 = White Color

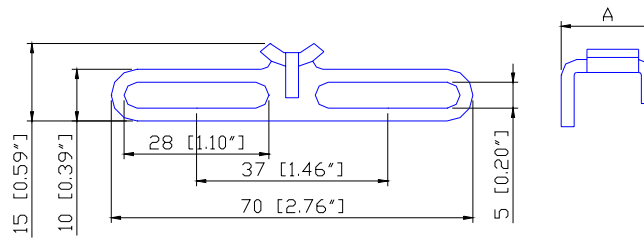


Part Number: 19065—PVC Awning Keeper Adj. W/Tab - PW

Qty/Ctn: 1,000

Kg. per Ctn: 13

A = 18 mm (.708)

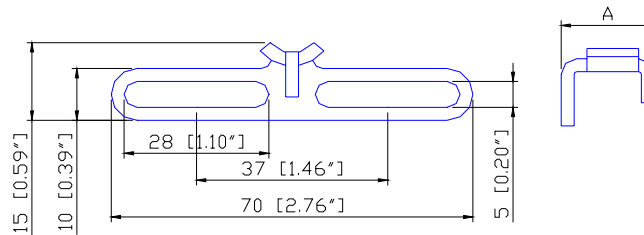


Part Number: 19067—PVC Awning Keeper W/tab

Qty/Ctn: 1,000

Kg. per Ctn: 25

A = 15 mm (.590)



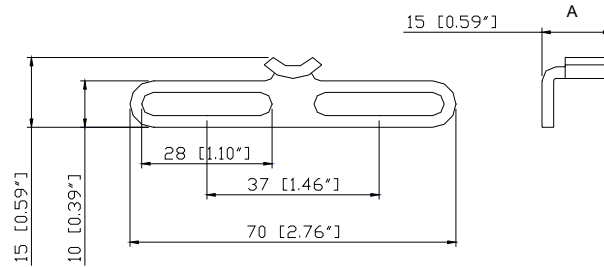
Casement - Keepers - Single/Multi-locking

Part Number: 19068—PVC Awning Keeper Adj. W/O Tab - PW

Qty/Ctn: 1,000

Kg. per Ctn: 25

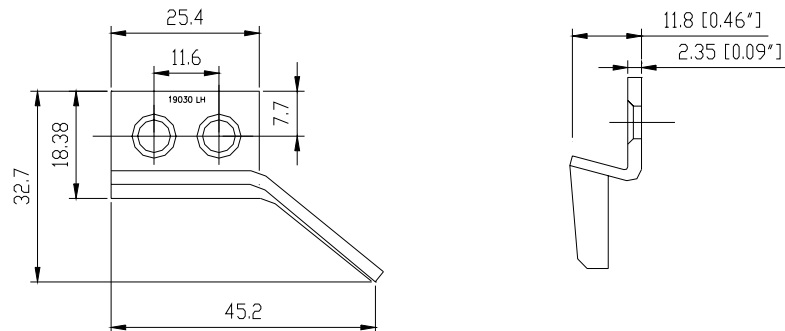
A = 15 mm (.590)



Part Number: 19430—L/H - Keeper - Corne Tie bar

Qty/Ctn: 1,000

Kg. per Ctn: 13

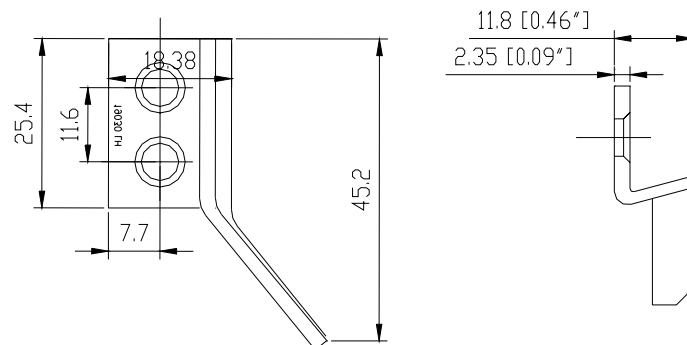


Multi Point Keeper 19031 RH (shown)

Part Number: 19431—R/H - Keeper - Corne Tie bar

Qty/Ctn: 1,000

Kg. per Ctn: 13



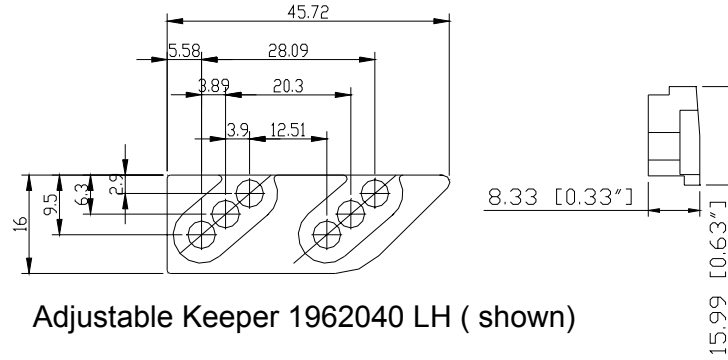
Multi Point Keeper 19031 LH (shown)

Casement - Keepers - Single/Multi-locking

Part Number: 1962040—L/H - Keeper - Interlock Tie Bar

Qty/Ctn: 1,000

Kg. per Ctn: 6

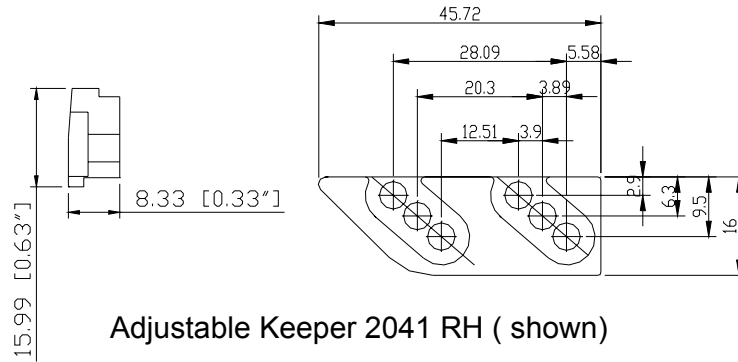


Adjustable Keeper 1962040 LH ( shown)

Part Number: 1962041—R/H - Keeper - Interlock Tie Bar

Qty/Ctn: 1,000

Kg. per Ctn: 6

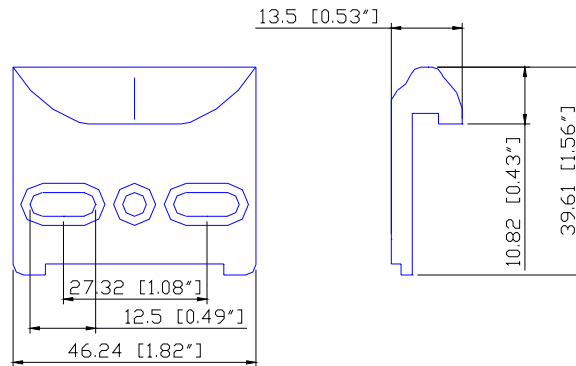


Adjustable Keeper 2041 RH ( shown)

Part Number: 20550—Multi-lock Keeper- PL

Qty/Ctn: 1,000

Kg. per Ctn: 5

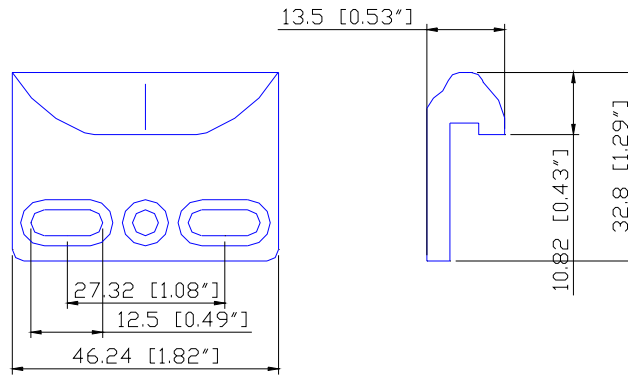


Casement - Keepers - Single/Multi-locking

Part Number: 20552—Multi-lock Keeper- PL

Qty/Ctn: 1,000

Kg. per Ctn: 5

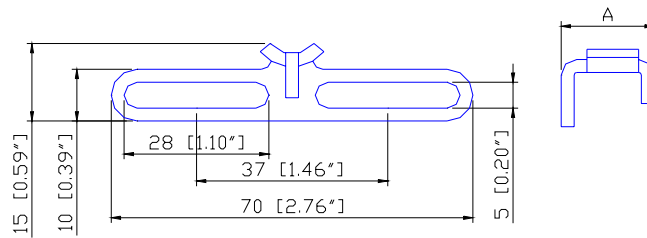


Part Number: 7067—PVC Awning Keeper W/tab - SST

Qty/Ctn: 1,000

Kg. per Ctn: 10

A = 15 mm (.590)

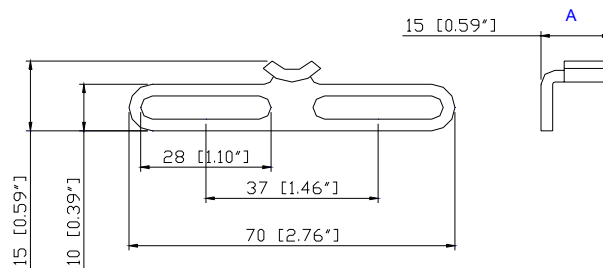


Part Number: 7068—PVC Awning Keeper Adj. W/O Tab-SST

Qty/Ctn: 1,000

Kg. per Ctn: 10

A = 15 mm (.590)



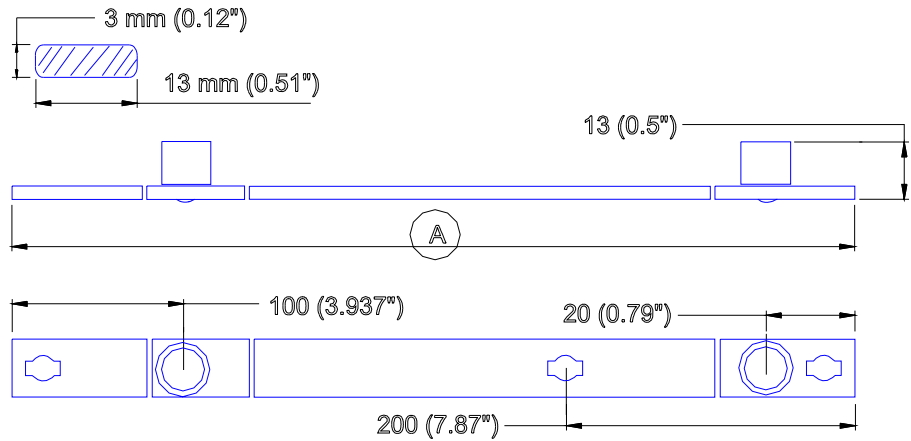
Casement - Tie Bars

Part Number: 190-0700-2—Tie Bar 350mm (13.78) 2 Rollers- PW

Qty/Ctn: 50

Kg. per Ctn: 8

A = 350 mm (13.78")

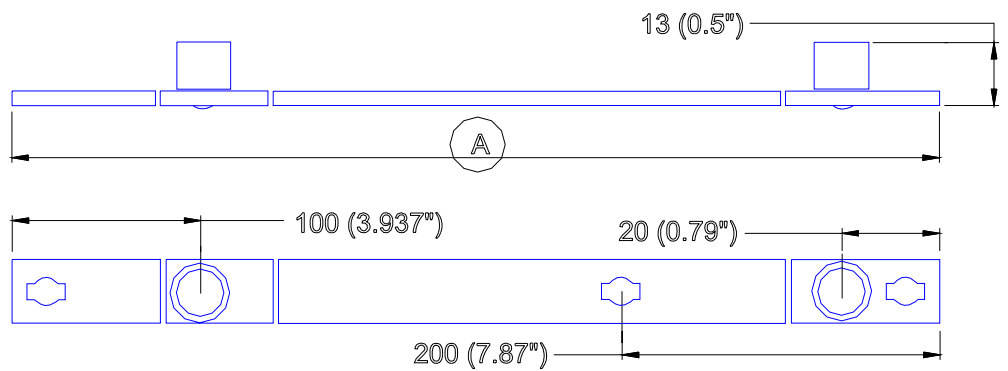


Part Number: 190-0800—Tie Bar 450mm (17.72) - PW

Qty/Ctn: 50

Kg. per Ctn: 11

A = 450 mm (17.72")

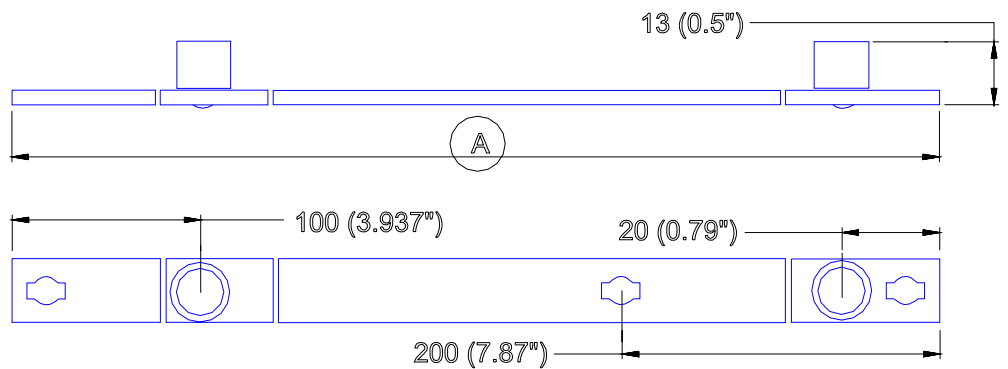


Part Number: 190-0900—Tie Bar 550mm (21.65") -PW

Qty/Ctn: 50

Kg. per Ctn: 11

A = 550 mm (21.65")



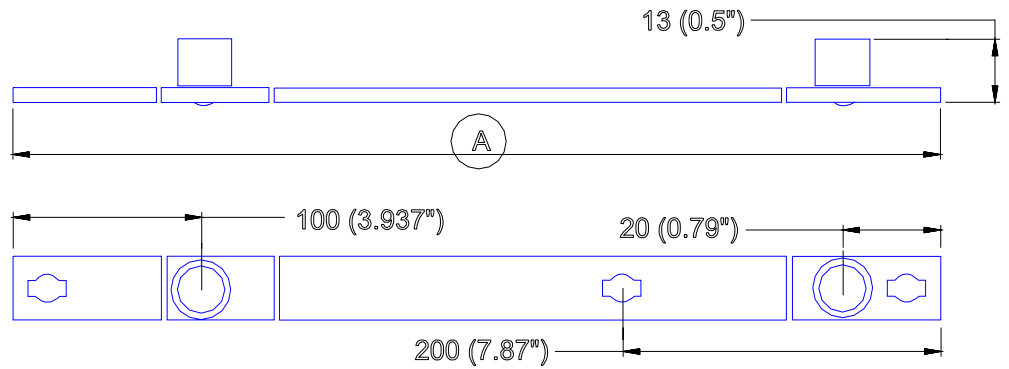
Casement - Tie Bars

Part Number: 190-1000—Tie Bar 650mm (25.59") - PW

Qty/Ctn: 50

Kg. per Ctn: 12

A = 650 mm (25.59")



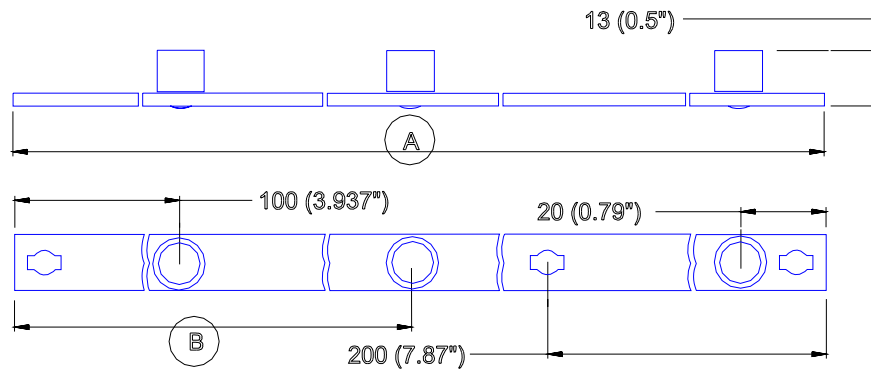
Part Number: 190-1200-3—Tie Bar 850mm (33.46") 3 Roller- PW

Qty/Ctn: 50

Kg. per Ctn: 16

A = 850 mm (33.46")

B = A/2



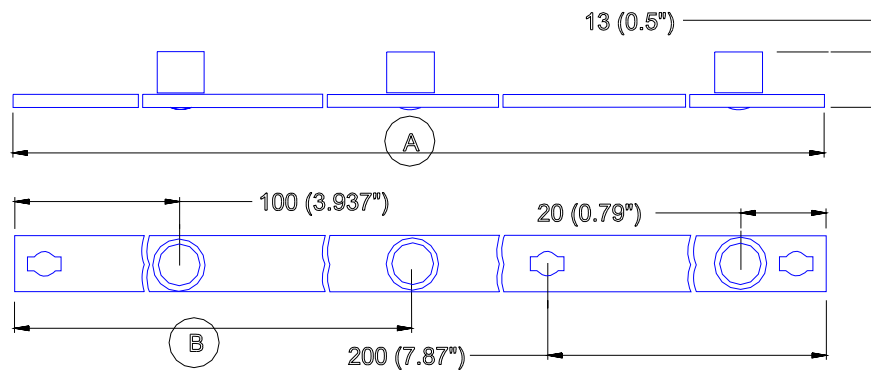
Part Number: 190-1325—Tie Bar 975mm (38.38")

Qty/Ctn: 50

Kg. per Ctn: 17

A = 975 mm (38.38")

B = A/2



Casement - Tie Bars

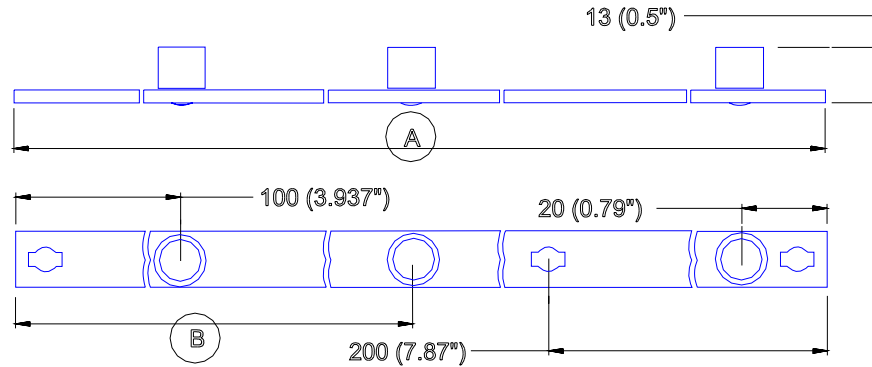
Part Number: 190-1500—Tie Bar 1150mm (45.27" ) - PW

Qty/Ctn: 50

Kg. per Ctn: 19

A = 1150 mm (45.27")

B = A/2



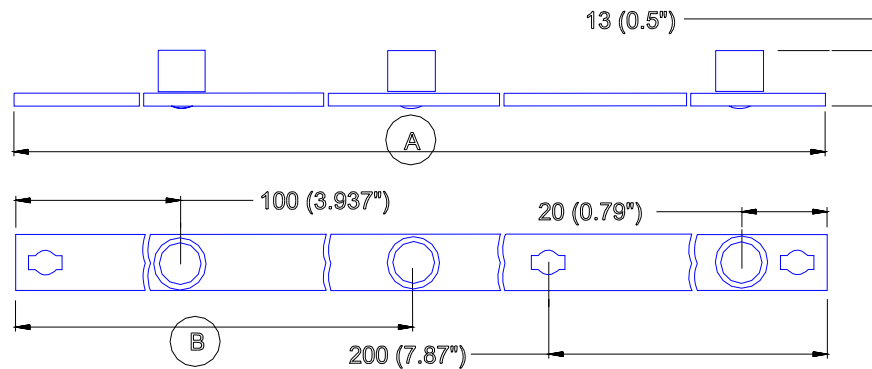
Part Number: 190-1625—Tie Bar 1275mm (50.2" ) - PW

Qty/Ctn: 50

Kg. per Ctn: 20

A = 1275 mm (50.20")

B = A/2



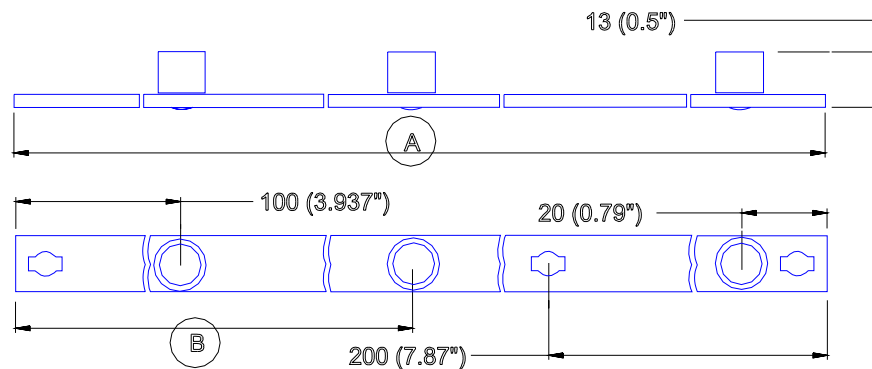
Part Number: 190-1800—Tie Bar 1450mm (57" ) 3 Roller-PW

Qty/Ctn: 50

Kg. per Ctn: 23

A = 1450 mm (57")

B = A/2



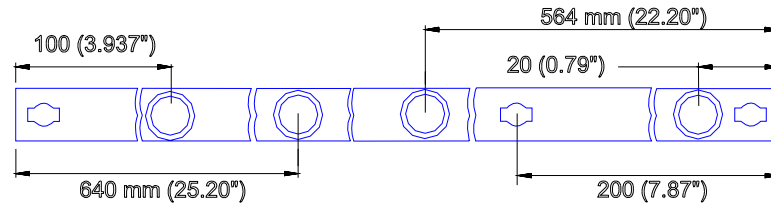
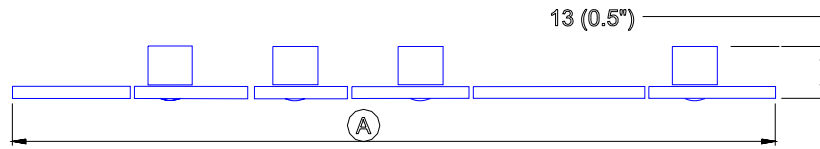
Casement - Tie Bars

Part Number: 190-1925—Tie Bar 1575 (62") - PW

Qty/Ctn: 50

Kg. per Ctn: 24

A = 1575 mm (62")

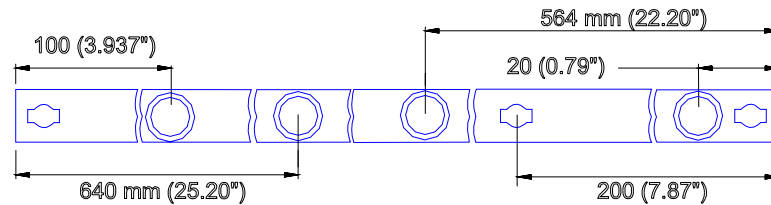
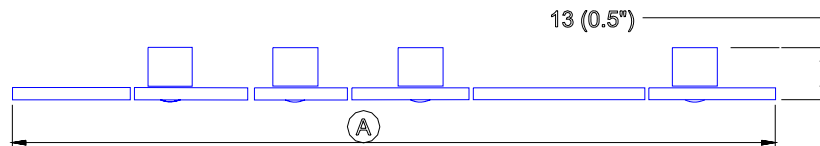


Part Number: 190-2100—Tie Bar 1750mm (68.9) -PW

Qty/Ctn: 50

Kg. per Ctn: 50

A = 1750 mm (68.9")

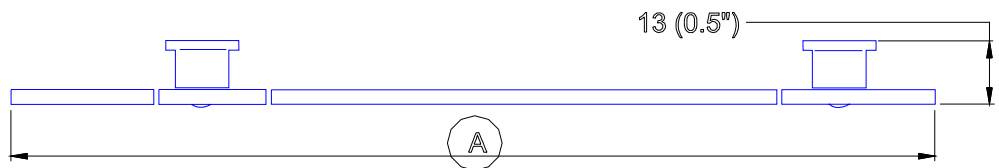


Part Number: 192-0700-2—Tie Bar 350mm (13.78) 2R-PW

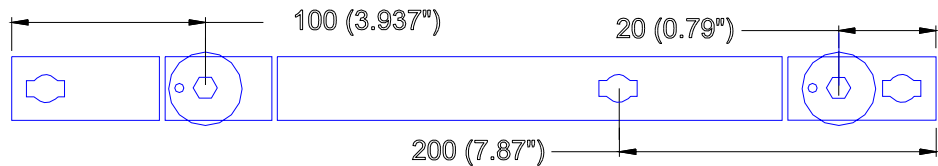
Qty/Ctn: 50

Kg. per Ctn: 7

A = 350 mm (13.78")



Adjustable Roller



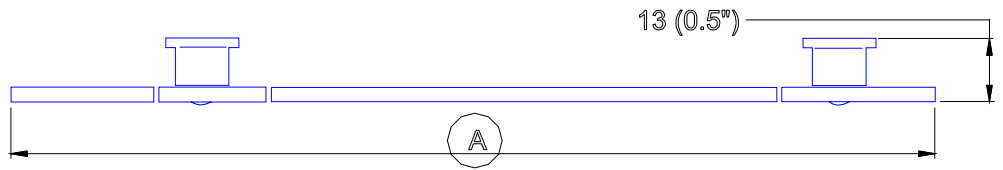
Casement - Tie Bars

Part Number: 192-0800—Tie Bar 450mm (17.72) 2R-PW

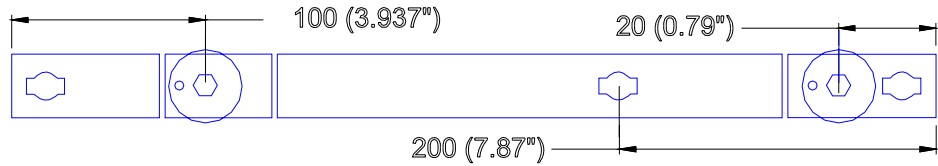
Qty/Ctn: 50

Kg. per Ctn: 10

A = 450 mm (17.72")



Adjustable Roller

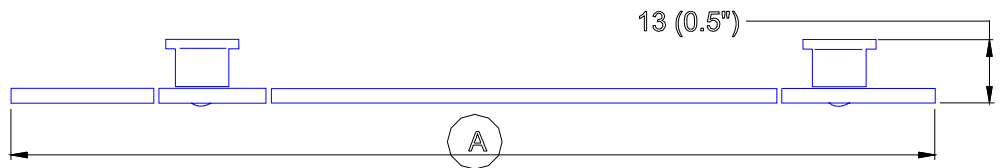


Part Number: 192-0900—Tie Bar 550mm (21.65") 2-PW

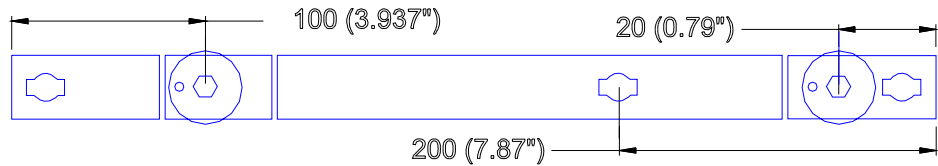
Qty/Ctn: 50

Kg. per Ctn: 11

A = 550 mm (21.65")



Adjustable Roller

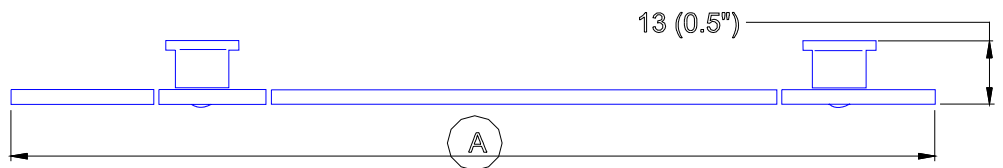


Part Number: 192-1000—Tie Bar 650mm (25.59") 2R-PW

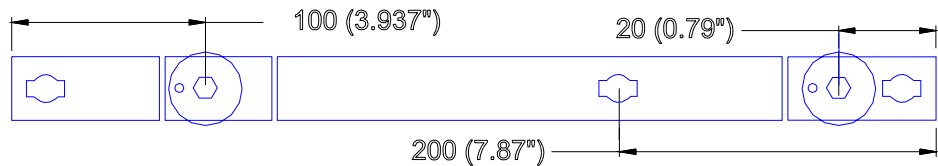
Qty/Ctn: 50

Kg. per Ctn: 12

A = 650 mm (25.59")



Adjustable Roller



Casement - Tie Bars

Part Number: 192-1200-3—Tie Bar 850mm (33.46") 3R-PW

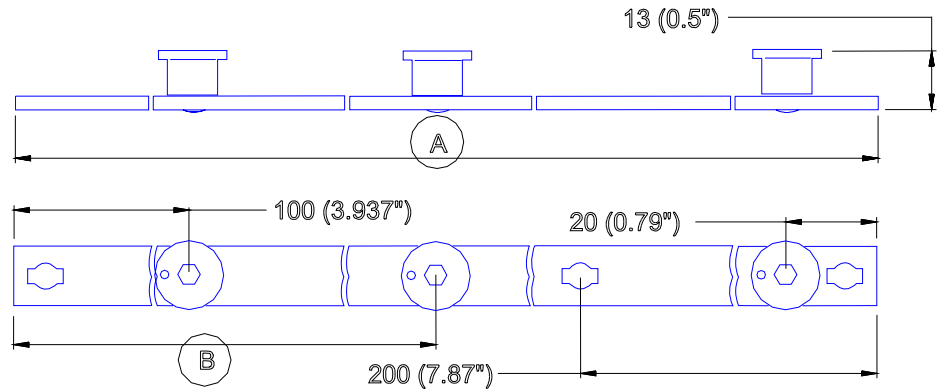
Qty/Ctn: 50

Kg. per Ctn: 15

A = 850 mm (33.46")

B = A/2

Adjustable Roller



Part Number: 192-1325—Tie Bar 975mm (38.38") 3R-PW

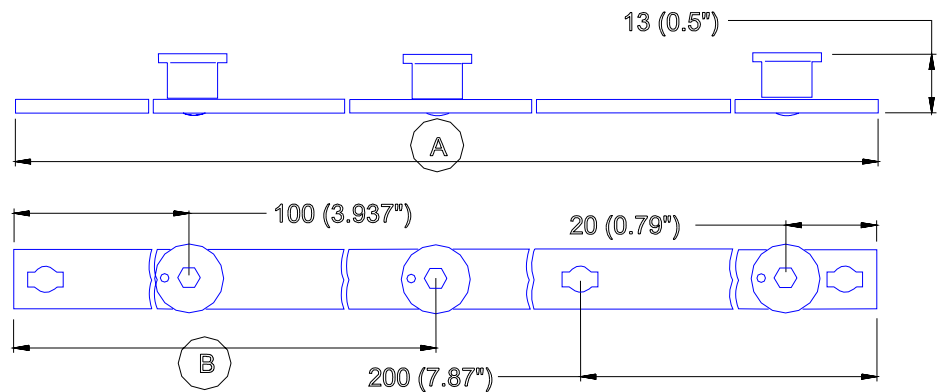
Qty/Ctn: 50

Kg. per Ctn: 17

A = 975 mm (38.38")

B = A/2

Adjustable Roller



Part Number: 192-1500—Tie Bar 1150mm (45.27") 3R-PW

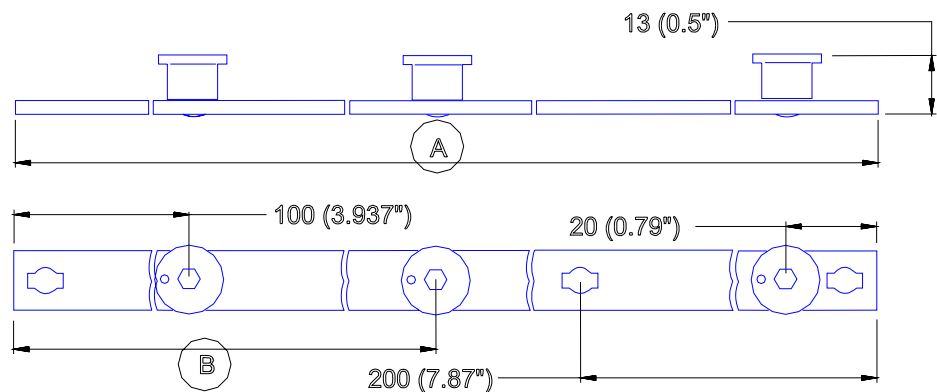
Qty/Ctn: 50

Kg. per Ctn: 19

A = 1150 mm (45.27")

B = A/2

Adjustable Roller



Casement - Tie Bars

Part Number: 192-1625—Tie Bar 1275mm (50.20") 3R-PW

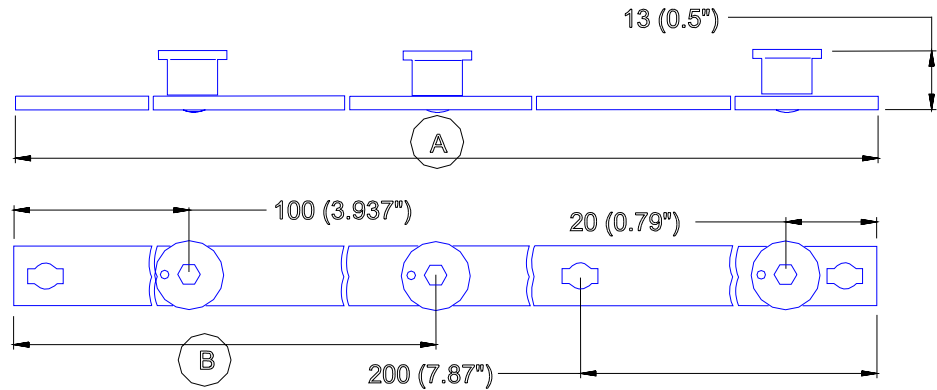
Qty/Ctn: 50

Kg. per Ctn: 20

A = 1275 mm (50.20")

B = A/2

Adjustable Roller



Part Number: 192-1800—Tie Bar 1450mm (57") 3R-PW

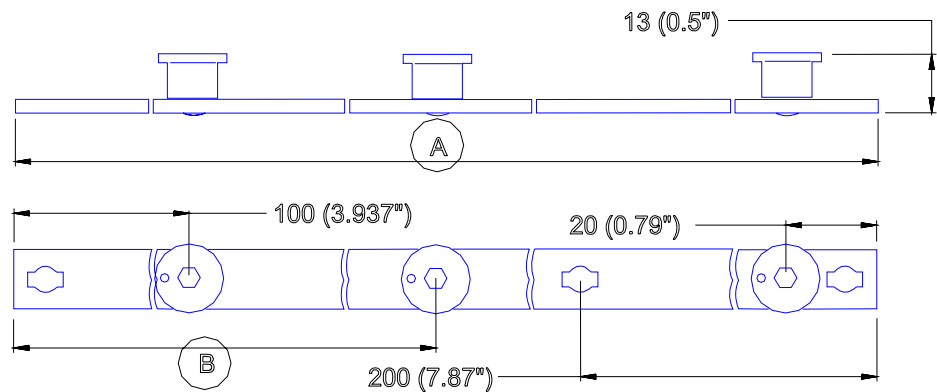
Qty/Ctn: 50

Kg. per Ctn: 23

A = 1450 mm (57")

B = A/2

Adjustable Roller



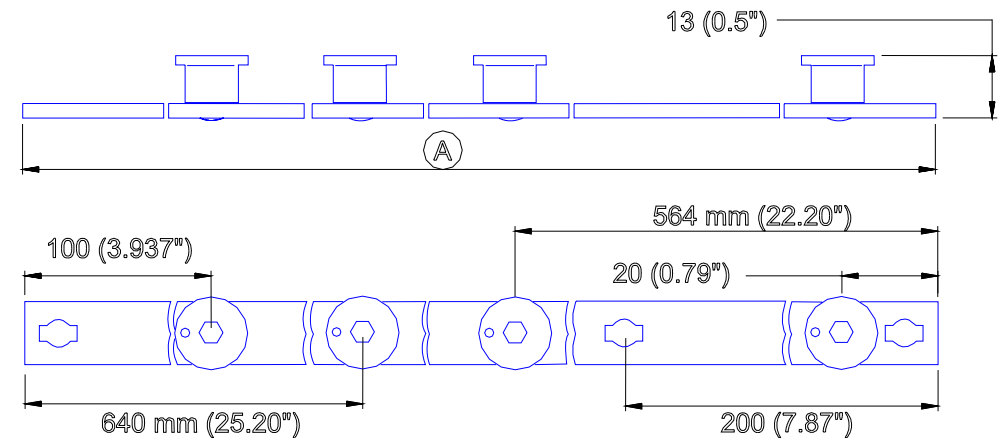
Part Number: 192-1925—Tie Bar 1575mm (62") 4R- PW

Qty/Ctn: 50

Kg. per Ctn: 24

A = 1575 mm (62")

Adjustable Roller



Casement - Tie Bars

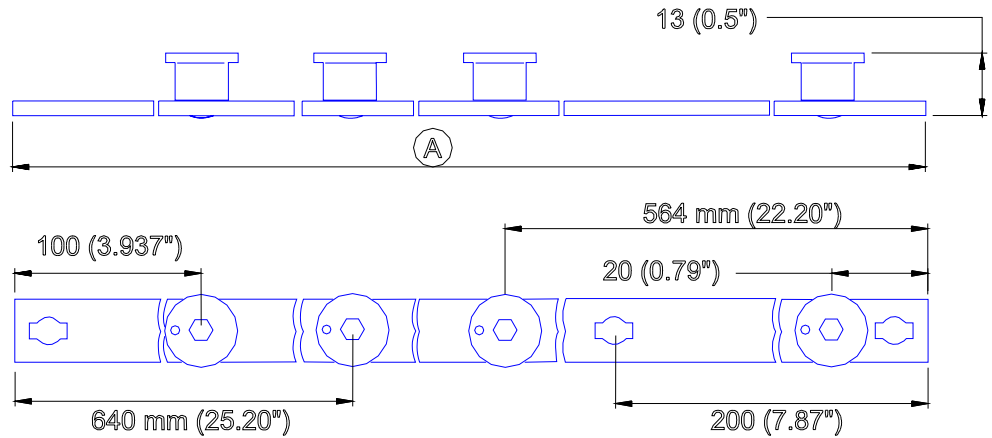
Part Number: 192-2100—Tie Bar 1750mm (68.9) 4R-PW

Qty/Ctn: 50

Kg. per Ctn: 26

A = 1750 mm (68.9")

Adjustable Roller



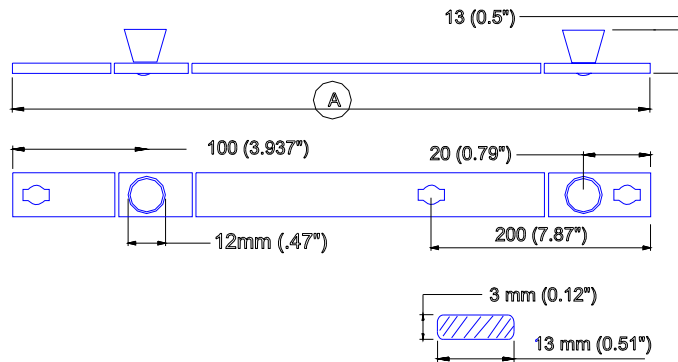
Part Number: 194-0700-2—Tie Bar 350mm (13.78) 2 Rollers- PW

Qty/Ctn: 50

Kg. per Ctn: 7

A = 350 mm (13.78")

Corn Roller - Tie Bar



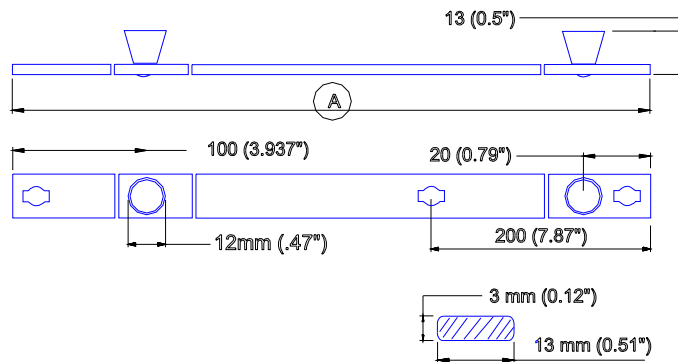
Part Number: 194-0800—Tie Bar 450mm (17.72) -PW

Qty/Ctn: 50

Kg. per Ctn: 10

A = 450 mm (17.72")

Corn Roller - Tie Bar



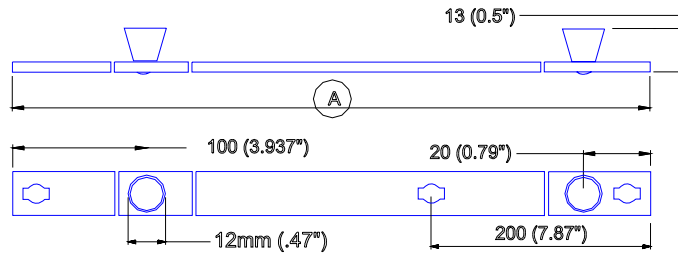
Casement - Tie Bars

Part Number: 194-0900—Tie Bar 550mm (21.65") -PW

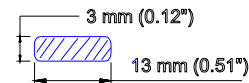
Qty/Ctn: 50

Kg. per Ctn: 11

A = 550 mm (21.65")



Corn Roller - Tie Bar

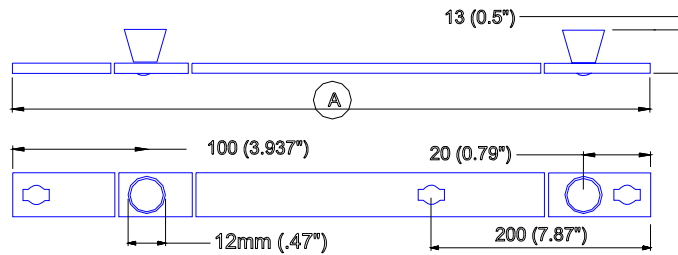


Part Number: 194-1000—Tie Bar 650mm (25.59") 2R-PW

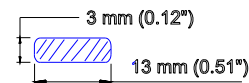
Qty/Ctn: 50

Kg. per Ctn: 12

A = 650 mm (25.59")



Corn Roller - Tie Bar



Part Number: 194-1200-3—Tie Bar 850mm (33.46") 3R-PW

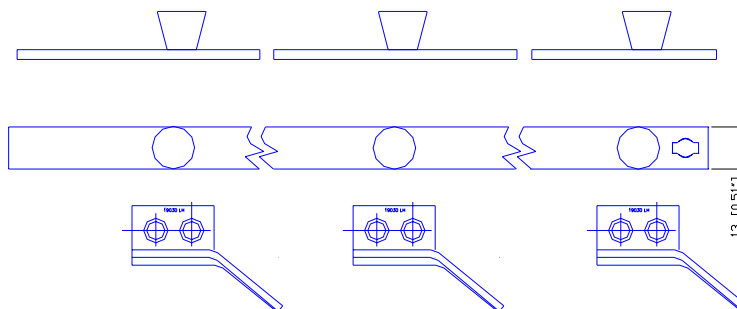
Qty/Ctn: 50

Kg. per Ctn: 15

A = 850 mm (33.46")

B = A/2

Corn Roller - Tie Bar



Casement - Tie Bars

Part Number: 194-1325—Tie Bar 975mm (38.38") 3R-PW

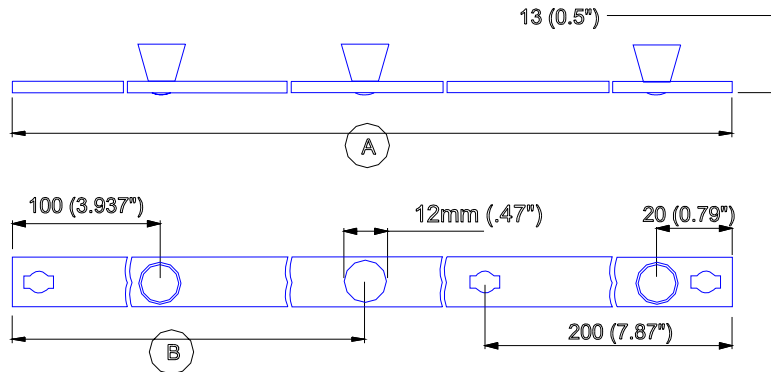
Qty/Ctn: 50

Kg. per Ctn: 17

A = 975 mm (38.38")

B = A/2

Corn Roller - Tie Bar



Part Number: 194-1500—Tie Bar 1150mm (45.27") 3R-PW

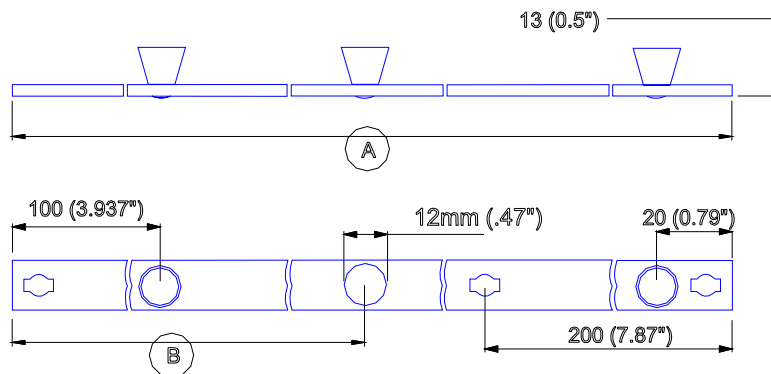
Qty/Ctn: 50

Kg. per Ctn: 19

A = 1150 mm (45.27")

B = A/2

Corn Roller - Tie Bar



Part Number: 194-1625—Tie Bar 1275mm (50.20") 3R-PW

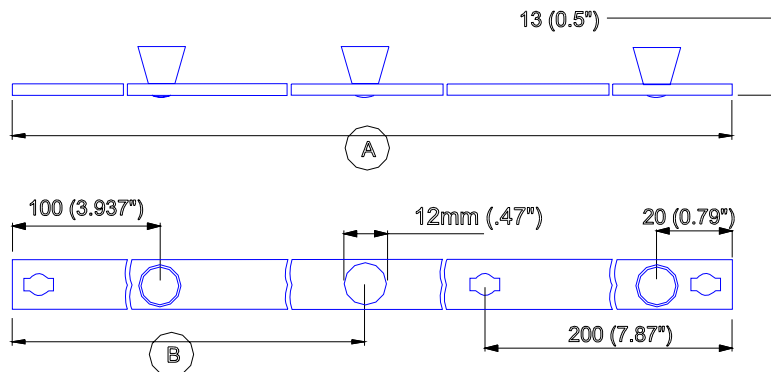
Qty/Ctn: 50

Kg. per Ctn: 20

A = 1275 mm (50.20")

B = A/2

Corn Roller - Tie Bar



Casement - Tie Bars

Part Number: 194-1800—Tie Bar 1450mm (57") 3R-PW

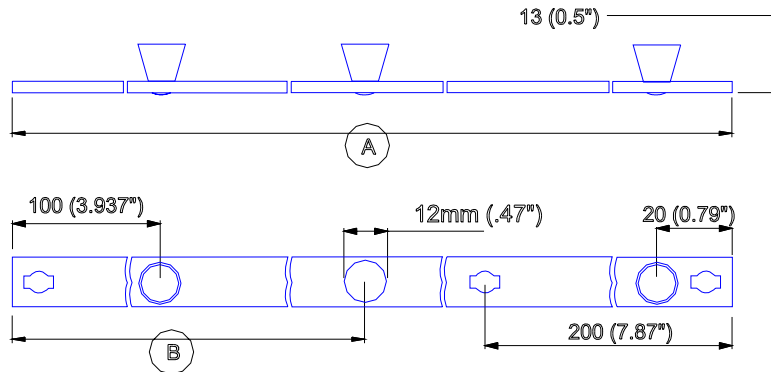
Qty/Ctn: 50

Kg. per Ctn: 23

A = 1450 mm (57")

B = A/2

Corn Roller - Tie Bar



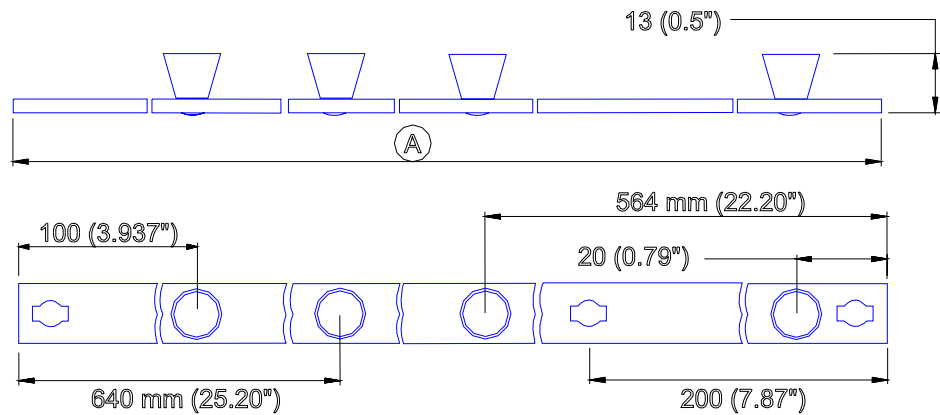
Part Number: 194-1925—Tie Bar 1575mm (62") 4R- PW

Qty/Ctn: 50

Kg. per Ctn: 24

A = 1575 mm (62")

Corn Roller - Tie Bar



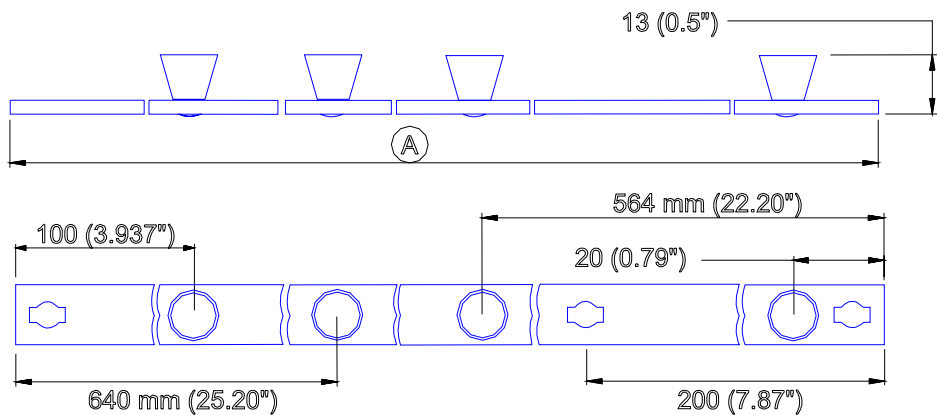
Part Number: 194-2100—Tie Bar 1750mm (68.9) 4R-PW

Qty/Ctn: 50

Kg. per Ctn: 26

A = 1750 mm (68.9")

Corn Roller - Tie Bar



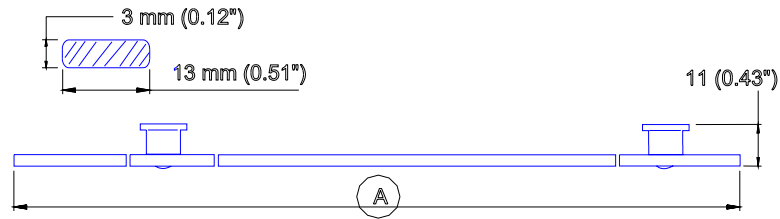
Casement - Tie Bars

Part Number: 196-0700-2—Tie Bar 350mm (13.78) 2 Rollers- PW

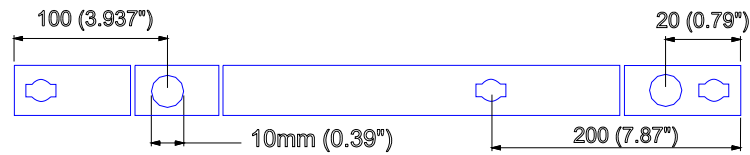
Qty/Ctn: 50

Kg. per Ctn: 7

A = 350 mm (13.78")



Interlock Roller - Tie Bar

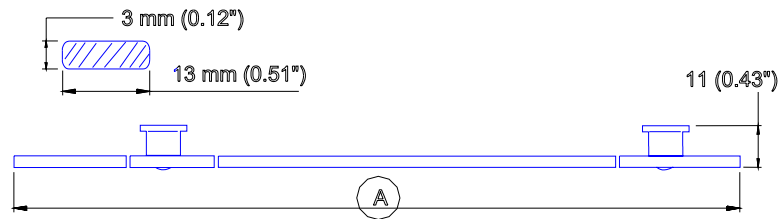


Part Number: 196-0800—Tie Bar 450mm (17.72) - PW

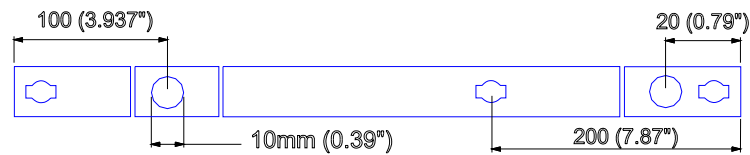
Qty/Ctn: 50

Kg. per Ctn: 10

A = 450 mm (17.72")



Interlock Roller - Tie Bar

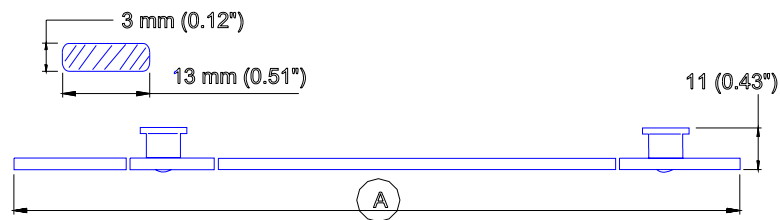


Part Number: 196-0900—Tie Bar 550mm (21.65") -PW

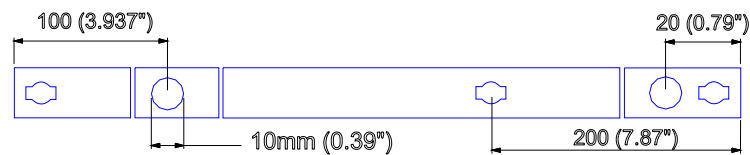
Qty/Ctn: 50

Kg. per Ctn: 11

A = 550 mm (21.65")



Interlock Roller - Tie Bar



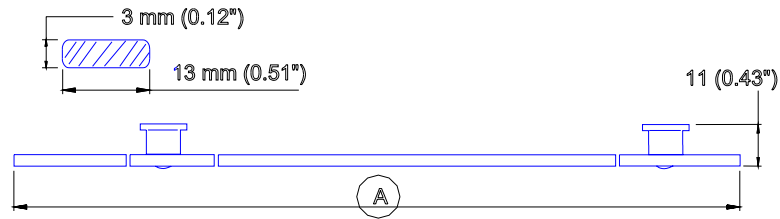
Casement - Tie Bars

Part Number: 196-1000—Tie Bar 650mm (25.59") 2R-PW

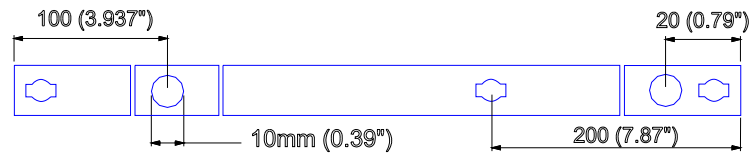
Qty/Ctn: 50

Kg. per Ctn: 12

A = 650 mm (25.59")



Interlock Roller - Tie Bar



Part Number: 196-1200-3—Tie Bar 850mm (33.46") 3R-PW

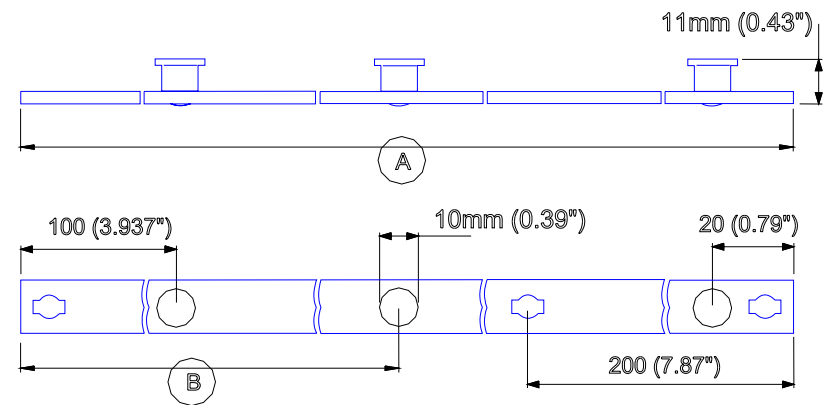
Qty/Ctn: 50

Kg. per Ctn: 15

A = 850 mm (33.46")

B = A/2

Interlock Roller - Tie Bar



Part Number: 196-1325—Tie Bar 975mm (38.38") 3R-PW

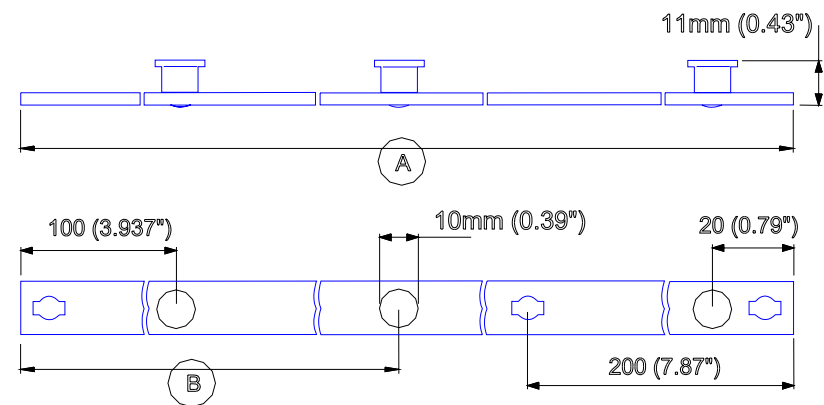
Qty/Ctn: 50

Kg. per Ctn: 17

A = 975 mm (38.38")

B = A/2

Interlock Roller - Tie Bar



Casement - Tie Bars

Part Number: 196-1500—Tie Bar 1150mm (45.27") 3R-PW

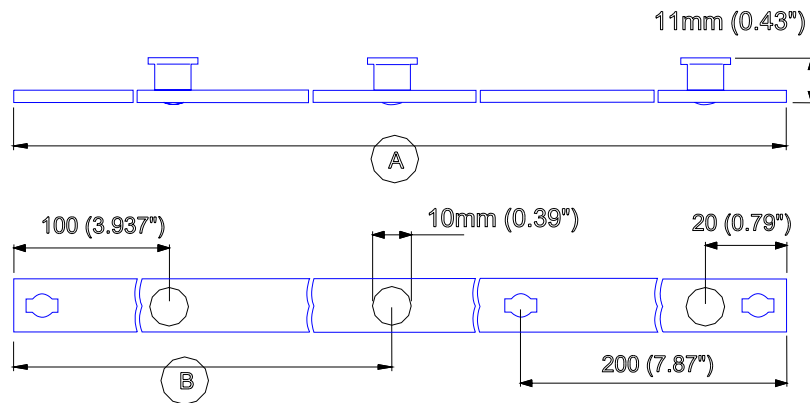
Qty/Ctn: 50

Kg. per Ctn: 19

A = 1150 mm (45.27")

B = A/2

Interlock Roller - Tie Bar



Part Number: 196-1625—Tie Bar 1275mm (50.20") 3R-PW

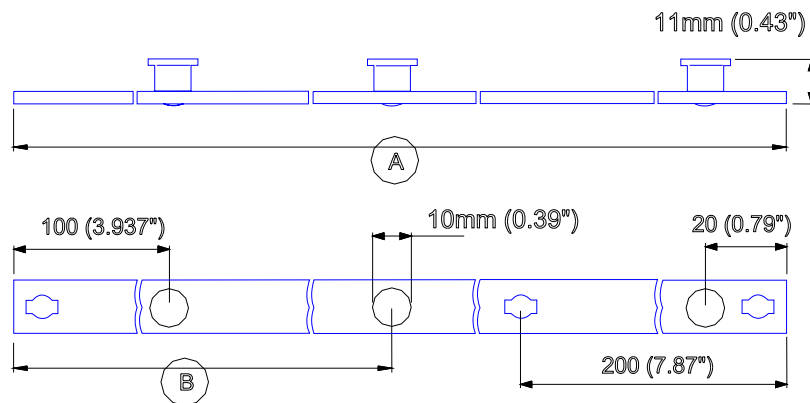
Qty/Ctn: 50

Kg. per Ctn: 20

A = 1275 mm (50.20")

B = A/2

Interlock Roller - Tie Bar



Part Number: 196-1800—Tie Bar 1450mm (57") 3R-PW

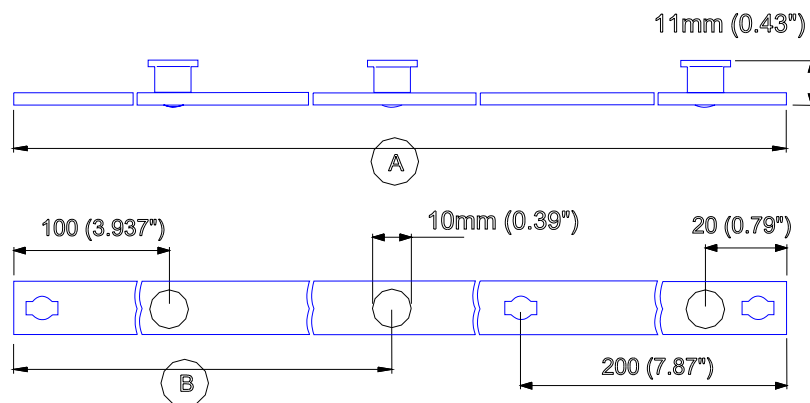
Qty/Ctn: 50

Kg. per Ctn: 23

A = 1450 mm (57")

B = A/2

Interlock Roller - Tie Bar



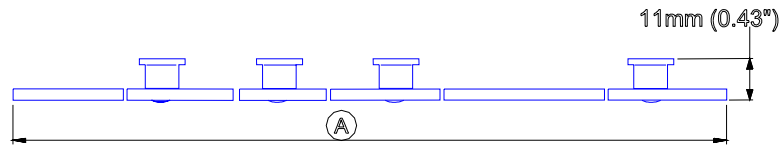
Casement - Tie Bars

Part Number: 196-1925—Tie Bar 1575mm (62") 4R- PW

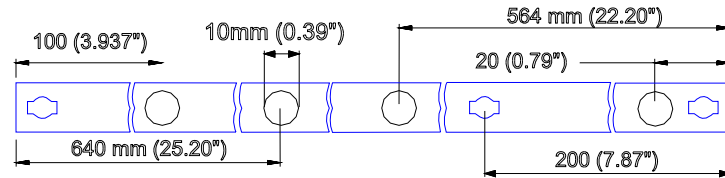
Qty/Ctn: 50

Kg. per Ctn: 24

A = 1575 mm (62")



Interlock Roller - Tie Bar

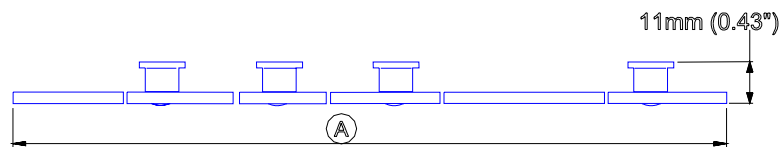


Part Number: 196-2100—Tie Bar 1750mm (68.9) 4R-PW

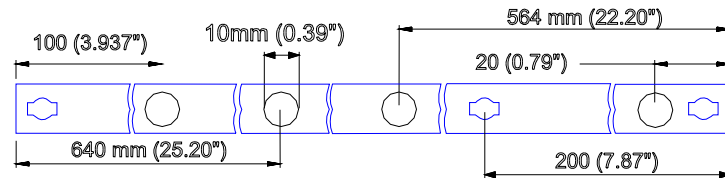
Qty/Ctn: 50

Kg. per Ctn: 26

A = 1750 mm (68.9")



Interlock Roller - Tie Bar



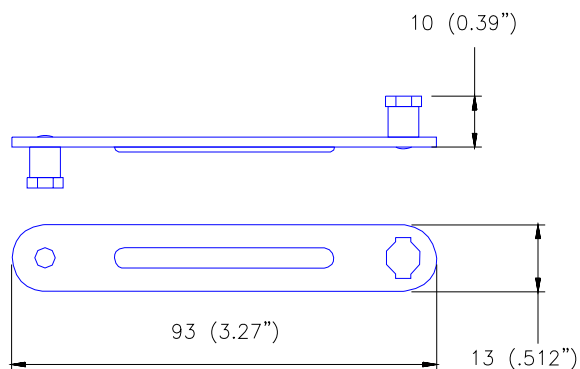
Casement - Tie Bar's Accessories

Part Number: 19070—Tie Bar Connector-PW

Qty/Ctn: 1,000

Kg. per Ctn: 16

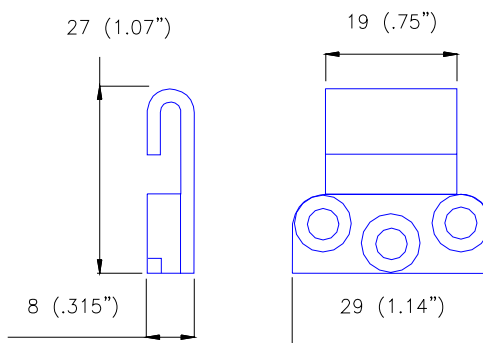
P/N: 1329070 = White Color



Part Number: 2020—Tie Bar Guide

Qty/Ctn: 2,500

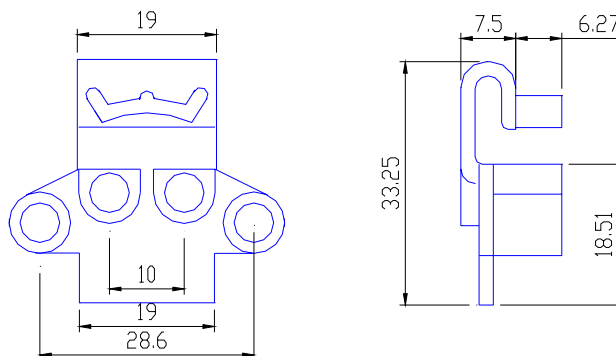
Kg. per Ctn: 11



Part Number: 2024—Ajustable Tie Bar Guide

Qty/Ctn: 2,500

Kg. per Ctn:

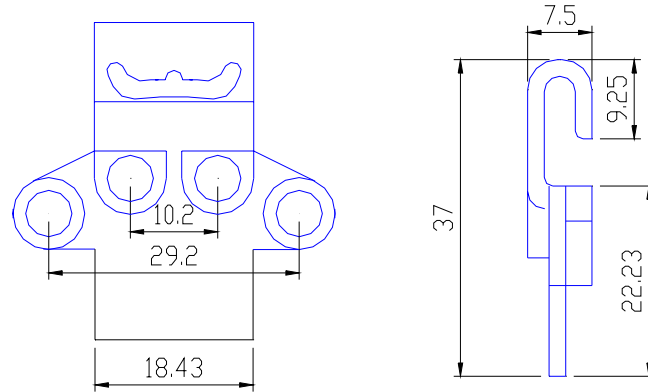


Casement - Tie Bar's Accessories

Part Number: 2025—Ajustable Tie Bar Guide

Qty/Ctn: 2,500

Kg. per Ctn:

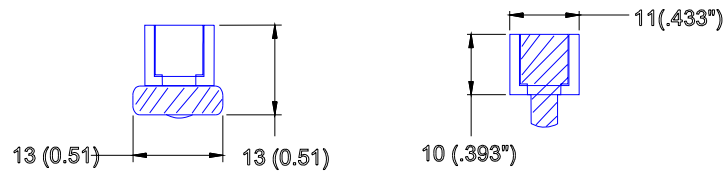


Part Number: 9010—Tie Bar Roller & Strike

Qty/Ctn: 200

Kg. per Ctn: 1

For Tie Bar 190 Series

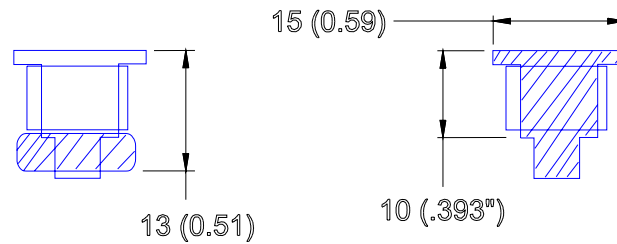


Part Number: 9210—Adj. Tie Bar Roller & Strike

Qty/Ctn: 200

Kg. per Ctn: 1

For Tie Bar 192 Series



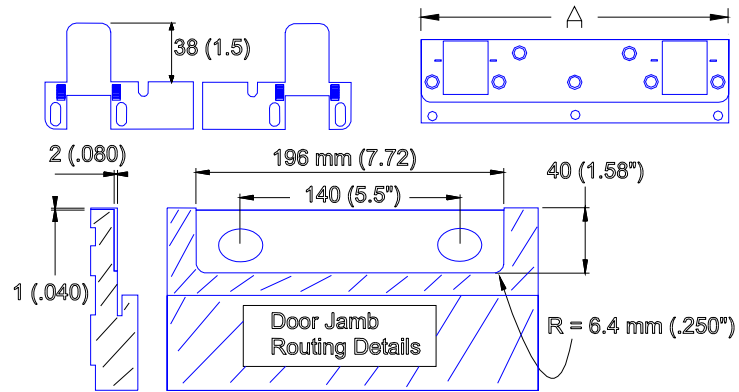
Door Striker Plate

Part Number: 440-3—DOUBLE OutSwing, D Strike, SST

Qty/Ctn: 100

Kg. per Ctn: 19

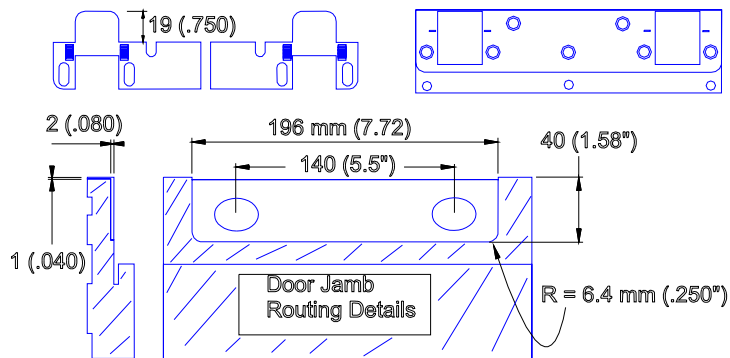
A = 196mm (7.72")



Part Number: 441-3—DOUBLE InSwing, D Strike, SST

Qty/Ctn: 100

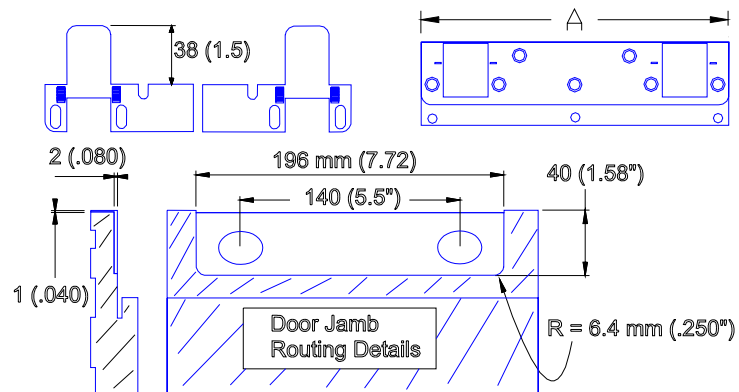
Kg. per Ctn: 19



Part Number: 550-3—DOUBLE OutSwing- Strike - Brass

Qty/Ctn: 100

Kg. per Ctn: 19

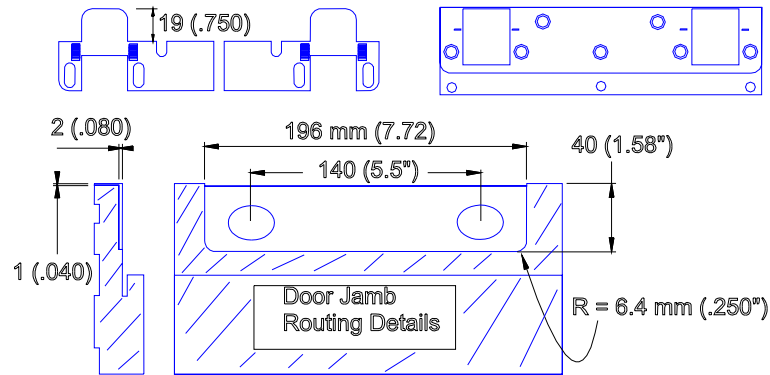


Door Striker Plate

Part Number: 551-3—DOUBLE InSwing- Strike - Brass

Qty/Ctn: 100

Kg. per Ctn: 19

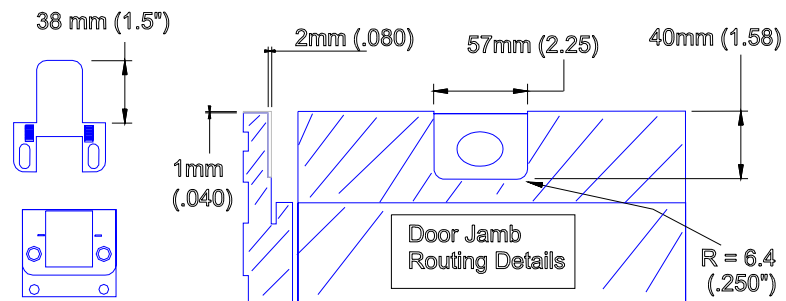


Part Number: 660—SINGLE OutSwing,Door Strike-Brass

Qty/Ctn: 100

Kg. per Ctn: 10

Side View Same As # 670

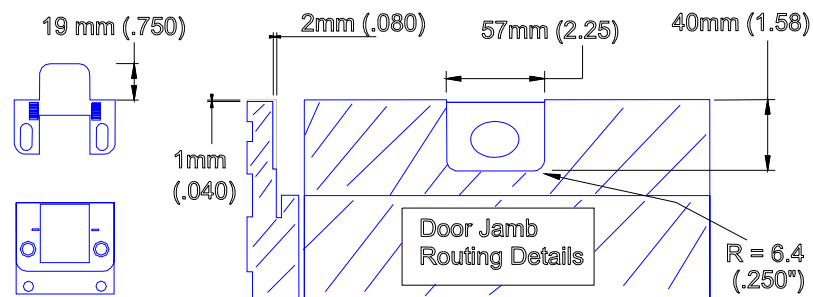


Part Number: 661—SINGLE InSwing Door Strike-Brass

Qty/Ctn: 100

Kg. per Ctn: 10

Side View Same As # 671



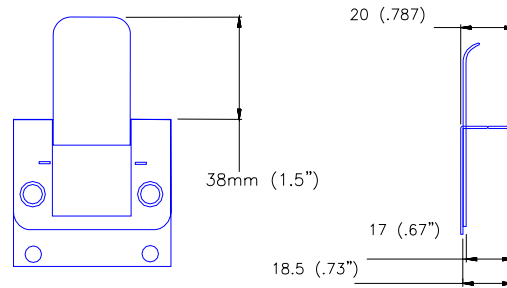
Door Striker Plate

Part Number: 670—SINGLE OutSwing Door Strike-SST

Qty/Ctn: 100

Kg. per Ctn: 10

Details Same As # 660

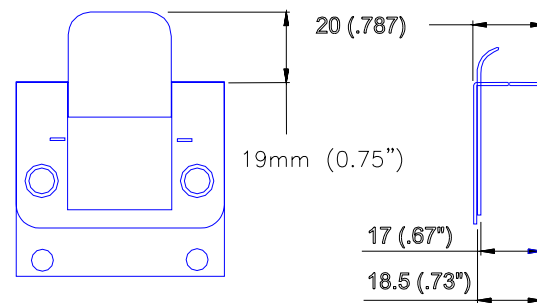


Part Number: 671—SINGLE InSwing-Door Strike-SST

Qty/Ctn: 100

Kg. per Ctn: 10

Details Same As # 661



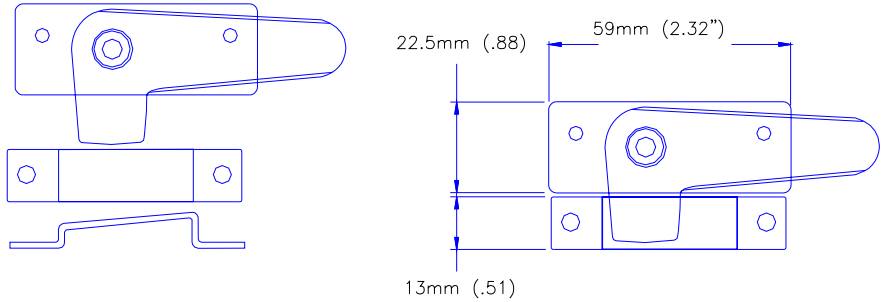
Door Striker Plate 8 Items

Hanger Hinges

Part Number: 132-678—Awning Lever Lock & Keeper

Qty/Ctn: 1,000

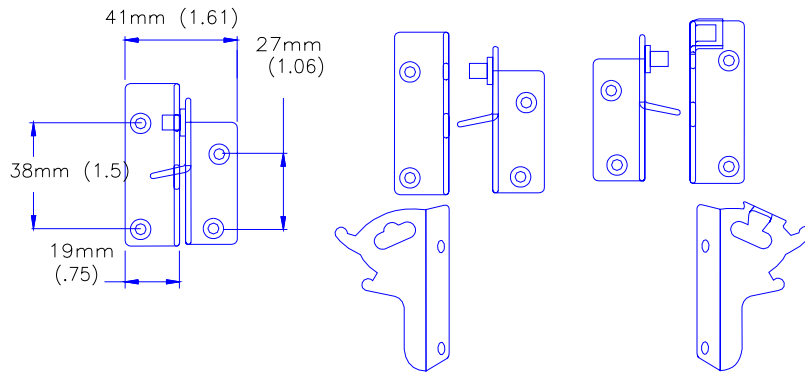
Kg. per Ctn: 20



Part Number: 132-679—Awning Hanger Hinges - Pair

Qty/Ctn: 1,000

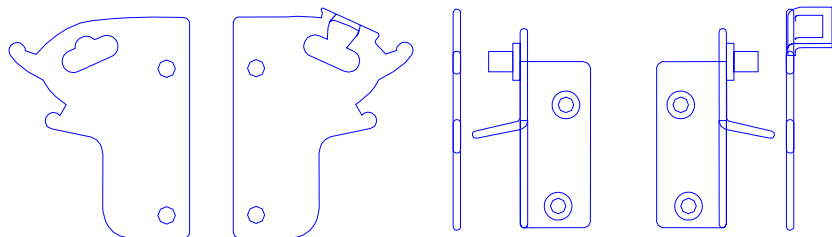
Kg. per Ctn: 22



Part Number: 132-680—Awning Hanger Hinges - Pair

Qty/Ctn: 1,000

Kg. per Ctn:

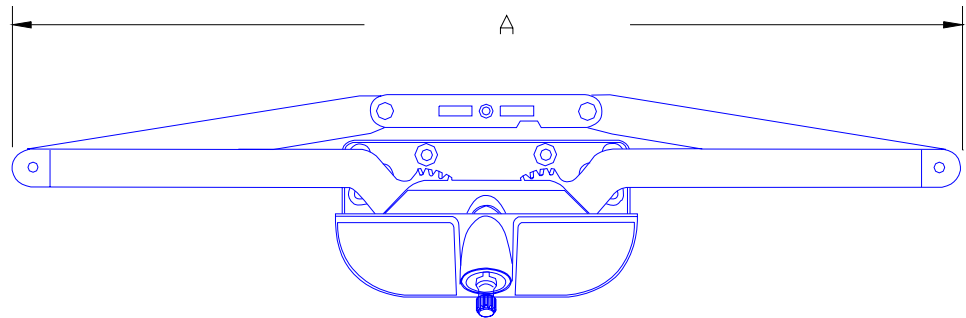


Part Number: 132-0120—Awning Operator - 12"

Qty/Ctn: 20

Kg. per Ctn:

A = 12 "

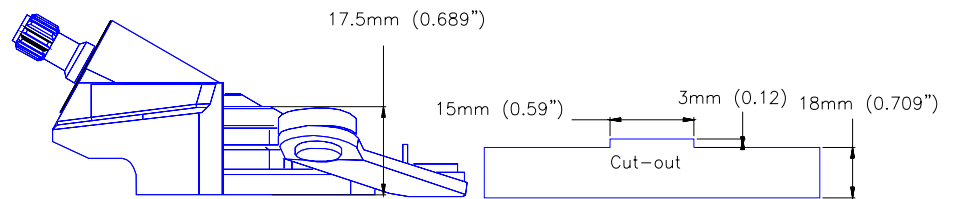


Part Number: 132-0160—Awning Operator - 16"

Qty/Ctn: 20

Kg. per Ctn:

A = 16"

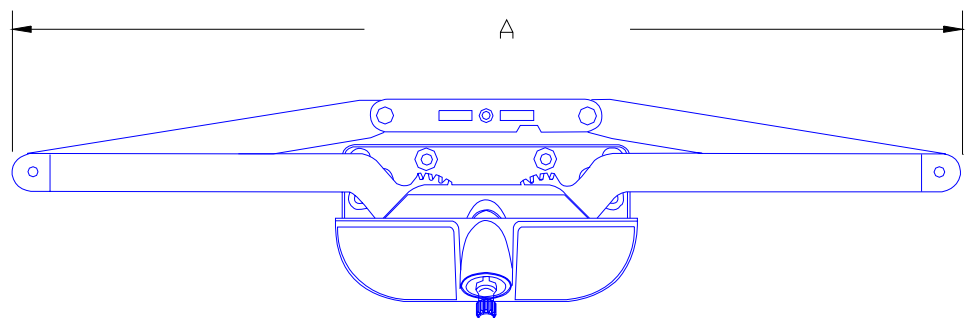


Part Number: 132-0210—Awning Operator - 21"

Qty/Ctn: 20

Kg. per Ctn:

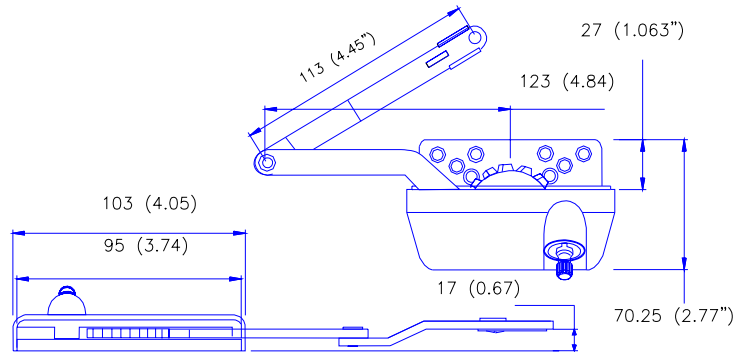
A = 21"



**Part Number:** 132-070—Single Split Arm Operator - R/H

**Qty/Ctn:** 20

**Kg. per Ctn:** 10



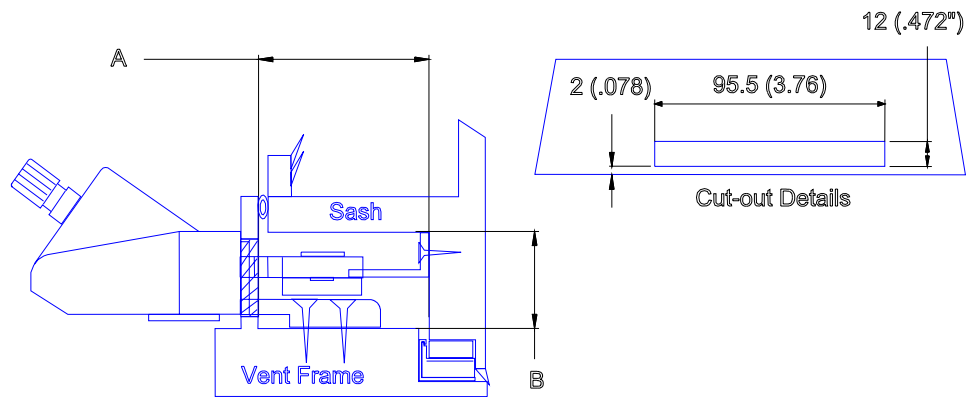
**Part Number:** 132-071—Single Split Arm Operator - L/H

**Qty/Ctn:** 20

**Kg. per Ctn:** 10

**A - Min. = 25mm (1.0")**

**B - Min. = 18mm (0.71")**



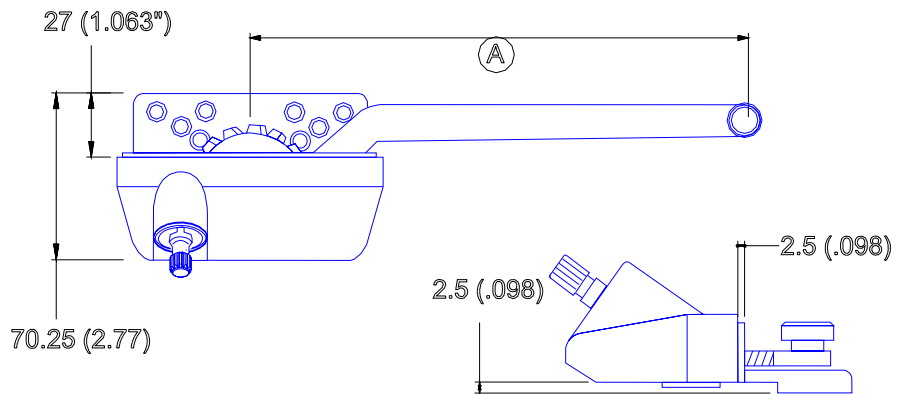
**Part Number:** 132-075-00—Single Arm Operator-R/H, 7 1/2"

**Qty/Ctn:** 20

**Kg. per Ctn:** 10

**A = 7 1/2"**

**Right Hand Window Open**



**Part Number:** 132-075-01—Single Arm Operator-L/H, 7 1/2"

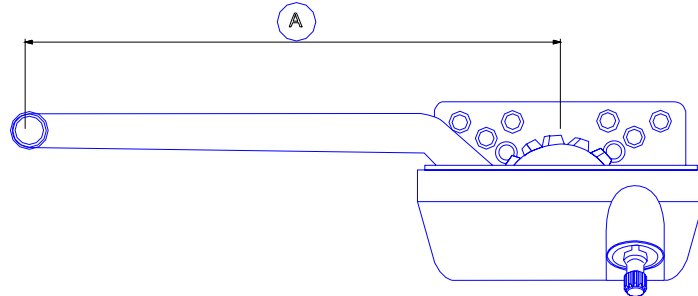
**Qty/Ctn:** 20

**Kg. per Ctn:** 10

**A = 7 1/2"**

**Cut-out details same as above**

**Left Hand Window Open**



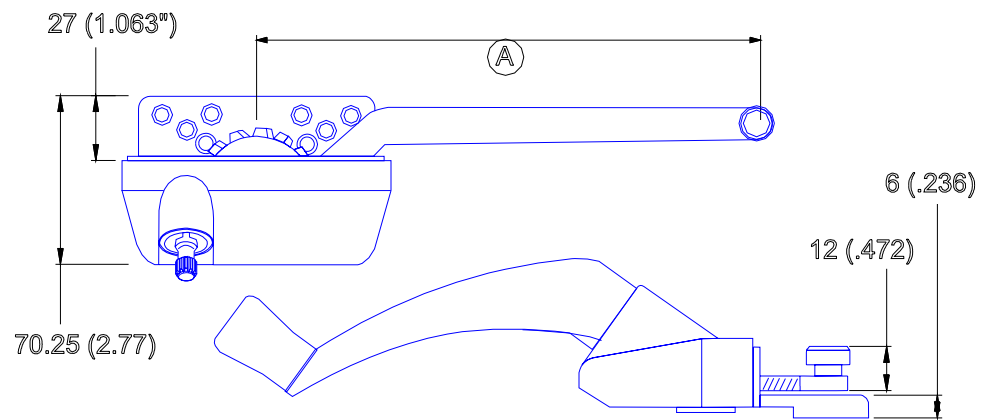
**Part Number:** 132-095-00—Single Arm Operator-R/H, 9 1/2"

**Qty/Ctn:** 20

**Kg. per Ctn:** 11

**A = 9 1/2"**

**Right Hand Window Open**



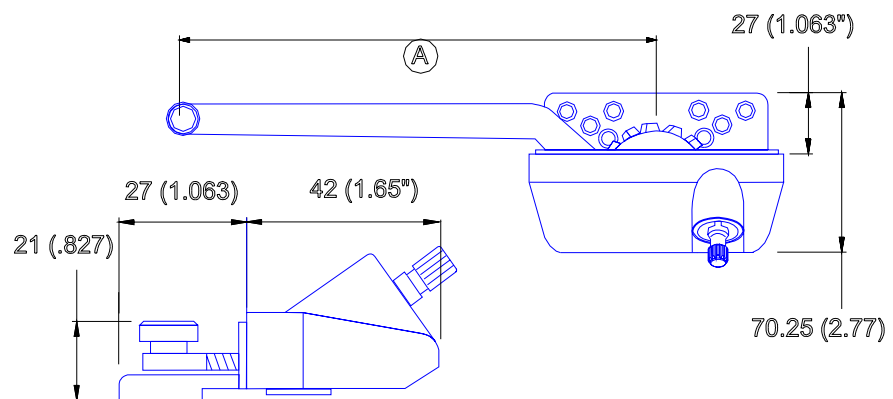
**Part Number:** 132-095-01—Single Arm Operator-L/H, 9 1/2"

**Qty/Ctn:** 20

**Kg. per Ctn:** 11

**A = 9 1/2"**

**Left Hand Window Open**



Part Number: 132-135-00—Single Arm Operator-R/H, 13 1/2"

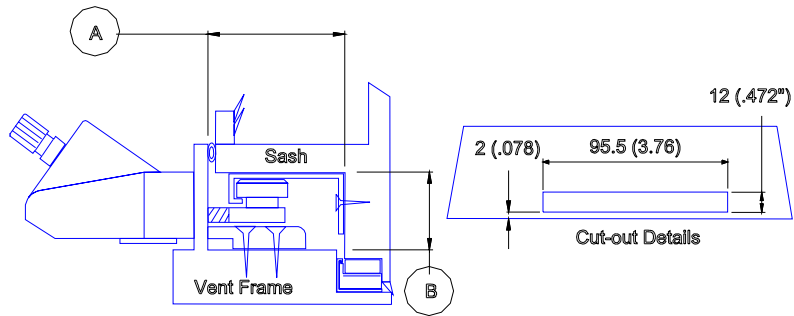
Qty/Ctn: 20

Kg. per Ctn: 12

A - Min. = 25mm (1.0")

B - Min. = 18mm (0.71")

Right Hand Window Open



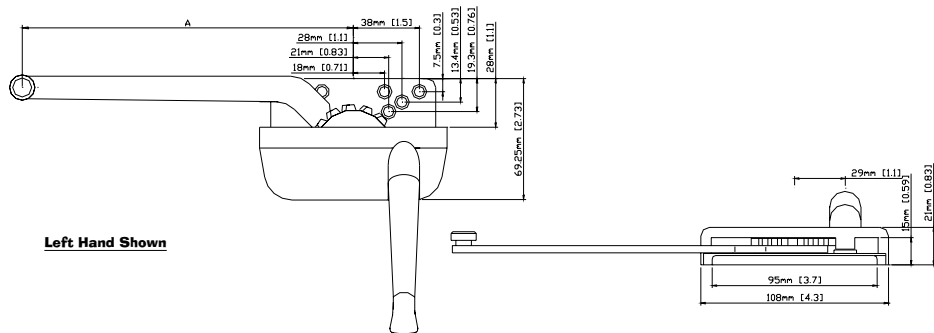
Part Number: 132-135-01—Single Arm Operator-L/H, 13 1/2"

Qty/Ctn: 20

Kg. per Ctn: 12

A = 13 1/2"

Left Hand Window Open

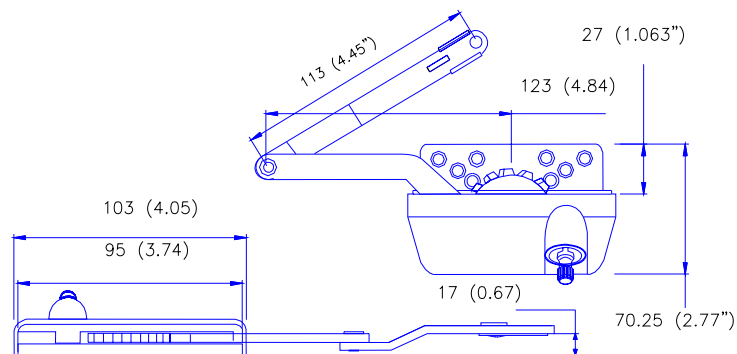


Part Number: 136-070—Single Split Arm Operator - R/H - Beige

Qty/Ctn: 20

Kg. per Ctn: 10

Beige Color



Part Number: 136-071—Single Split Arm Operator - L/H - Beige

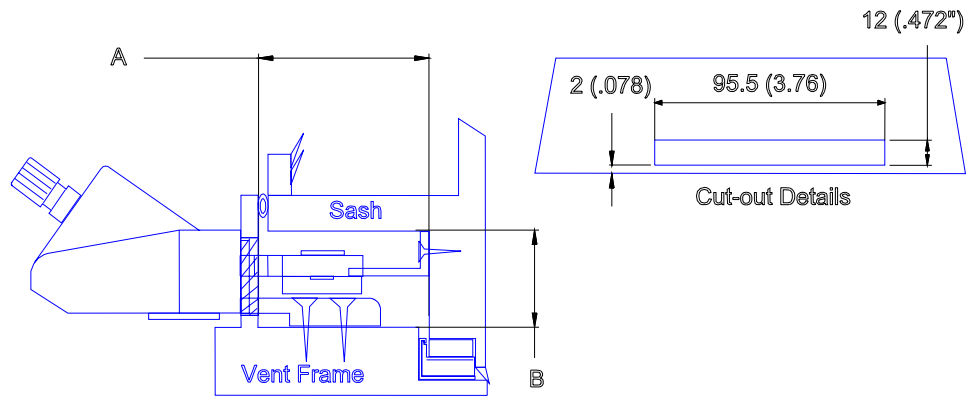
Qty/Ctn: 20

Kg. per Ctn: 10

A - Min. = 25mm (1.0")

B - Min. = 18mm (0.71")

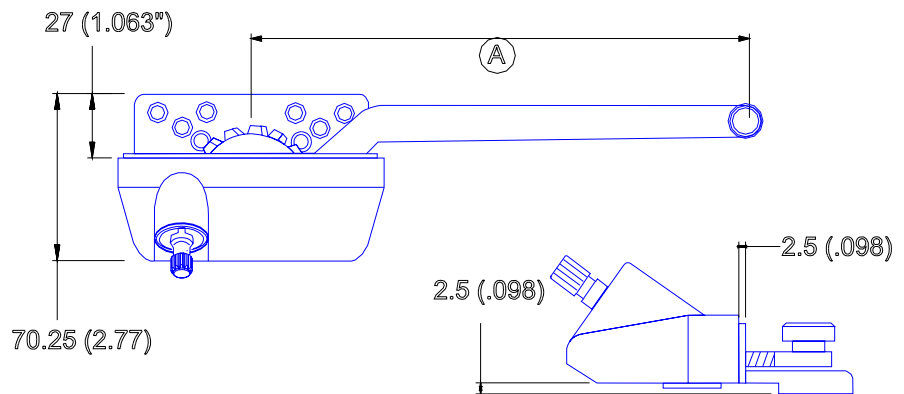
Beige Color



Part Number: 136-075-00—Single Arm Operator-R/H, 7 1/2"- Beige

Qty/Ctn: 0

Kg. per Ctn:

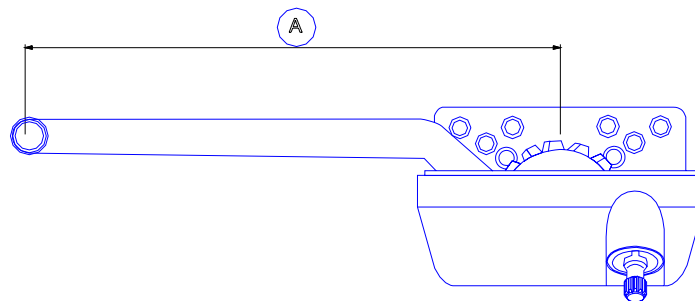


Part Number: 136-075-01—Single Arm Operator-L/H, 7 1/2"- Beige

Qty/Ctn: 0

Kg. per Ctn:

A = 7 1/2"

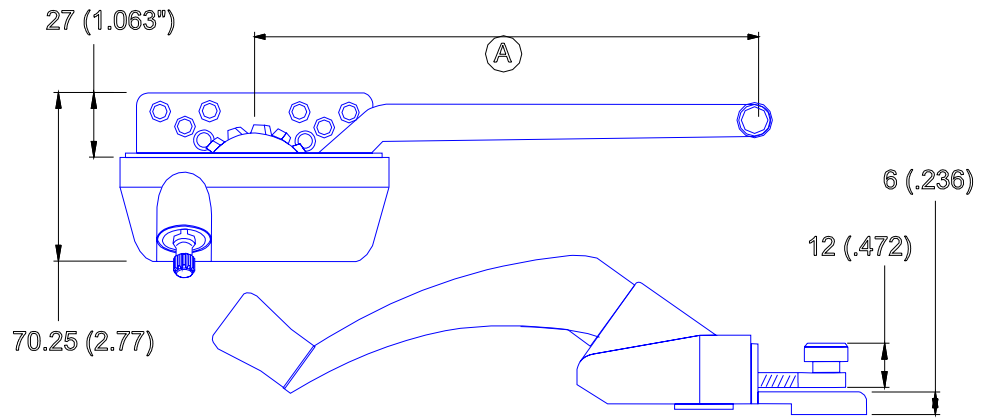


**Part Number:** 136-095-00—Single Arm Operator-R/H, 9 1/2"-Beige

**Qty/Ctn:** 0

**Kg. per Ctn:**

**A = 9 1/2"**

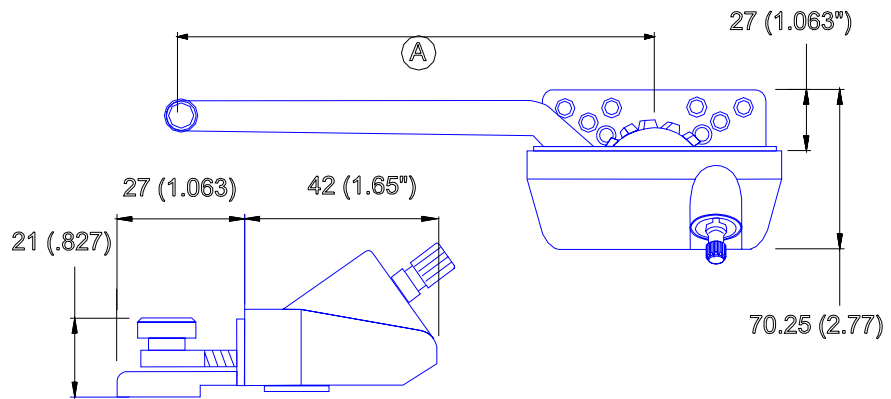


**Part Number:** 136-095-01—Single Arm Operator-L/H, 9 1/2"

**Qty/Ctn:** 0

**Kg. per Ctn:**

**A = 9 1/2"**



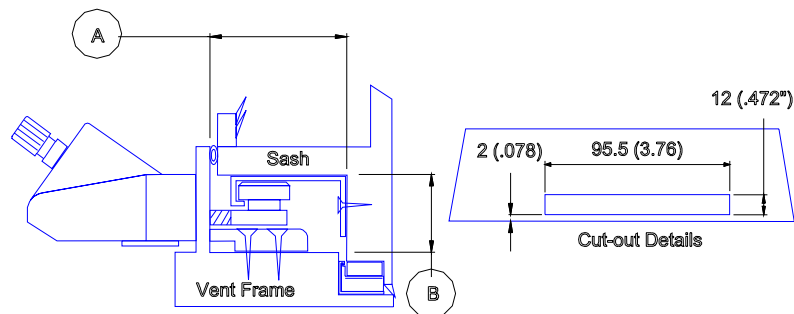
**Part Number:** 136-135-00—Single Arm Operator-R/H, 13 1/2"-Beige

**Qty/Ctn:** 0

**Kg. per Ctn:**

**A = 13 1/2"**

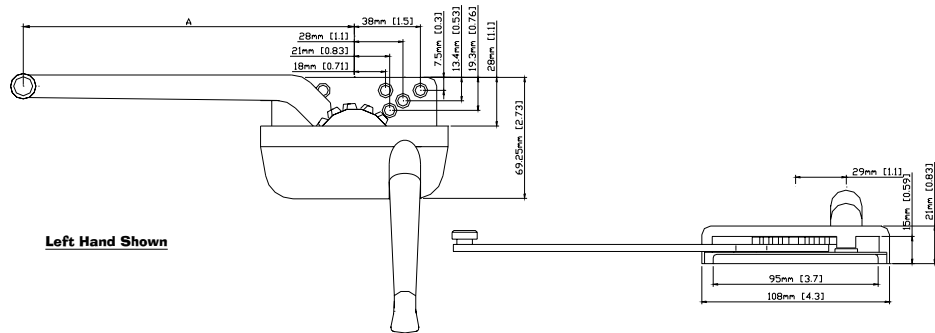
**B - Min. = 18mm (0.71")**



Part Number: 136-135-01—Single Arm Operator-L/H, 13 1/2"-Beige

Qty/Ctn: 0

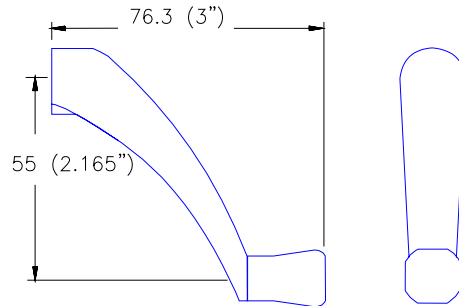
Kg. per Ctn:



Part Number: 132059—Operator Crank - White

Qty/Ctn: 200

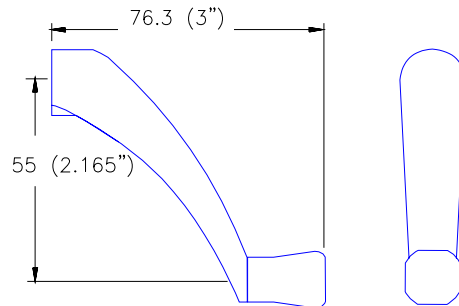
Kg. per Ctn: 17



Part Number: 136059—Operator Crank - Beige

Qty/Ctn: 200

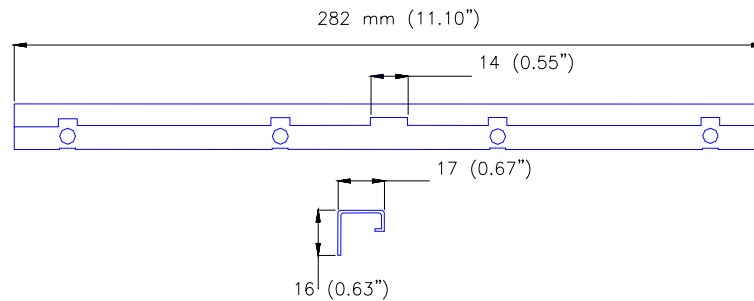
Kg. per Ctn: 0



Part Number: 190040—Mounting Track 4 holes

Qty/Ctn: 100

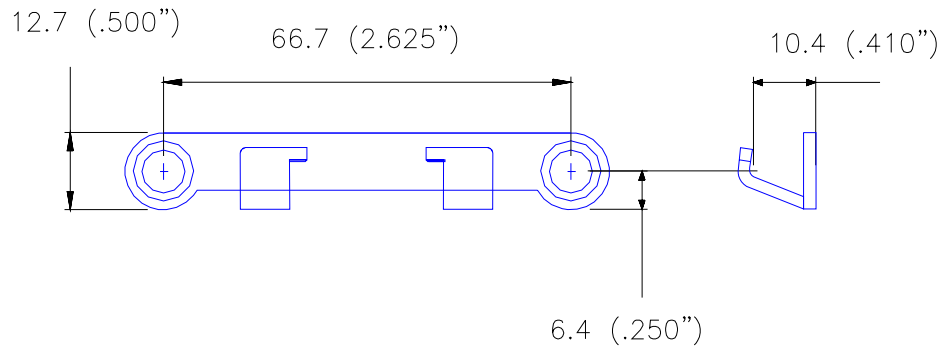
Kg. per Ctn: 10



Part Number: 1901270—Center Hook

Qty/Ctn: 200

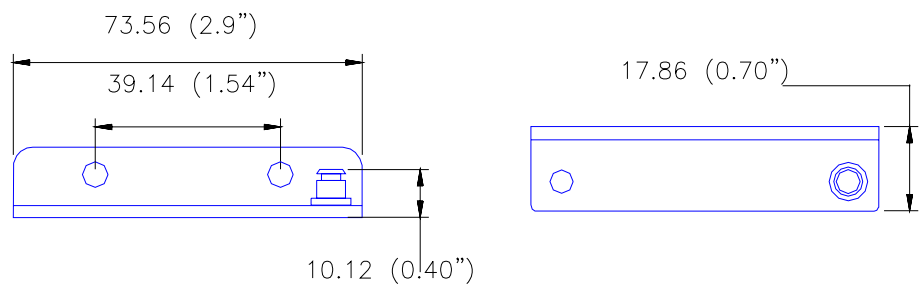
Kg. per Ctn:



Part Number: 19039—Stud Bracket - L/H

Qty/Ctn: 600

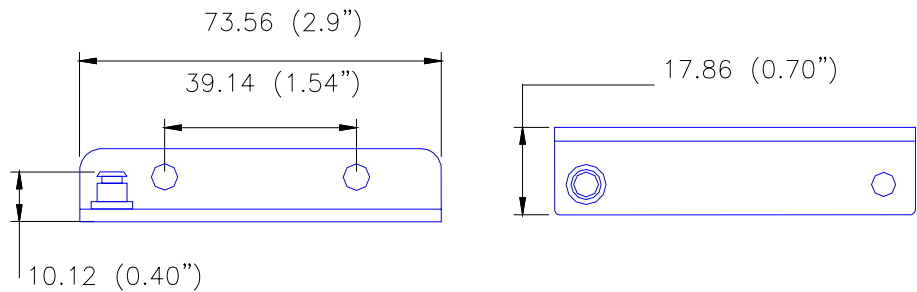
Kg. per Ctn: 25



Part Number: 19040—Stud Bracket - R/H

Qty/Ctn: 600

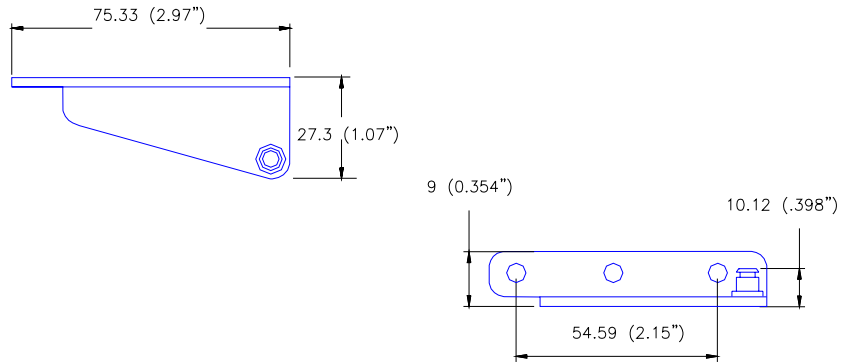
Kg. per Ctn: 25



Part Number: 19041—Stud Bracket - L/H

Qty/Ctn: 100

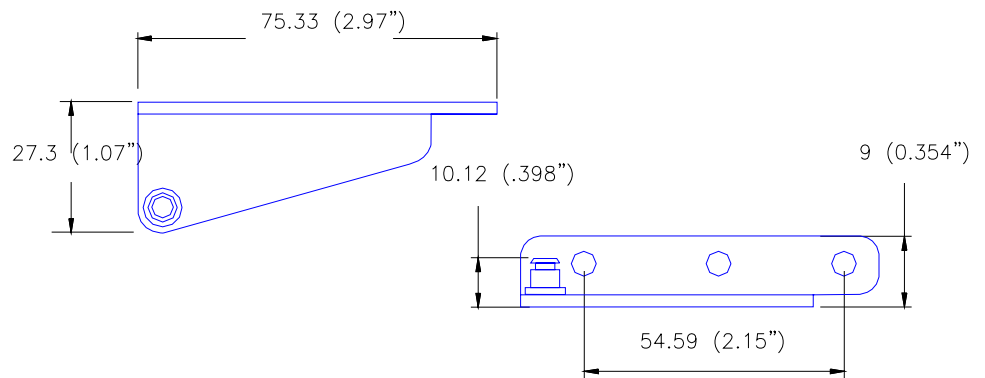
Kg. per Ctn: 22



Part Number: 19042—Stud Bracket - R/H

Qty/Ctn: 100

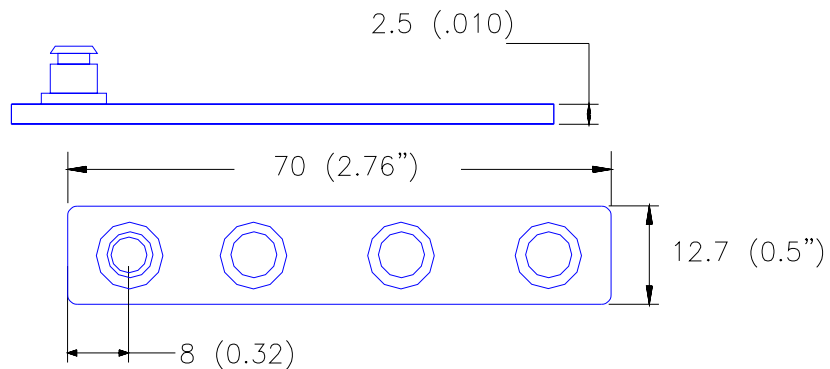
Kg. per Ctn: 22



Part Number: 190447—Stud Bracket - Non Handed

Qty/Ctn: 500

Kg. per Ctn: 9

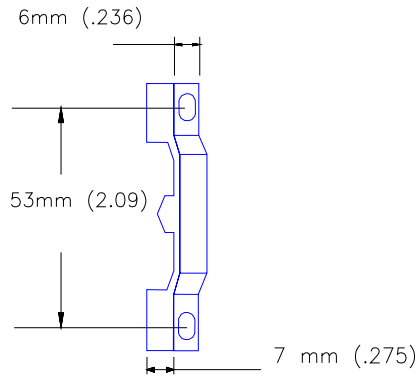


Silder Window - Locks & Keepers

Part Number: 132-06—# 6 Keeper Snap Back (White)

Qty/Ctn: 1,000

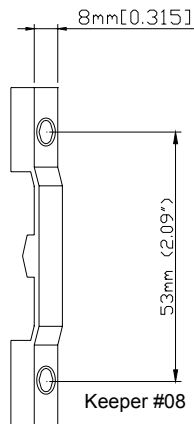
Kg. per Ctn: 8



Part Number: 132-08—# 8 Keeper Snap Back (White)

Qty/Ctn: 1,000

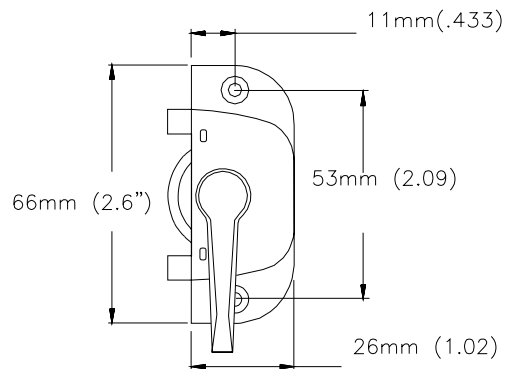
Kg. per Ctn: 10



Part Number: 132-100-OF—S. Lock Snap Back-OF- White

Qty/Ctn: 200

Kg. per Ctn: 12

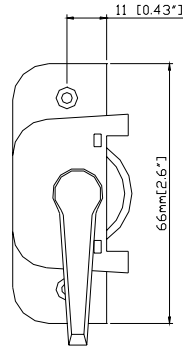


Silder Window - Locks & Keepers

Part Number: 132-101-FO—S. Lock Snap Back - FO-White

Qty/Ctn: 200

Kg. per Ctn: 12

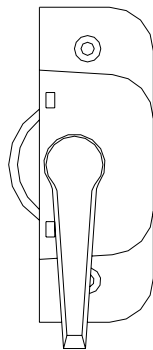


101-FO (Left hand)

Part Number: 132-200-OF—S. Lock Flush Back-OF-White

Qty/Ctn: 200

Kg. per Ctn: 12



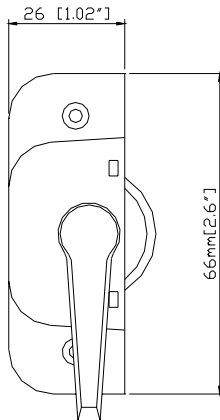
200-FO (Right hand)

Part Number: 132-201-FO—S. Lock Flush Back -FO-White

Qty/Ctn: 200

Kg. per Ctn: 12

B = 11mm (.433)



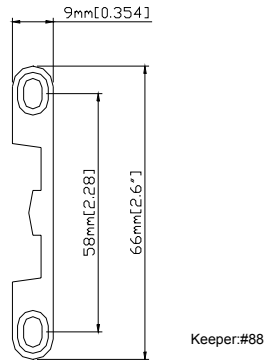
201-FO (Left hand)

Silder Window - Locks & Keepers

Part Number: 132-88—# 88 Keeper Flush Back (White)

Qty/Ctn: 1,000

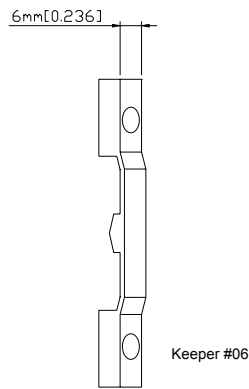
Kg. per Ctn: 13



Part Number: 136-06—# 6 Keeper (Beige)

Qty/Ctn: 1,000

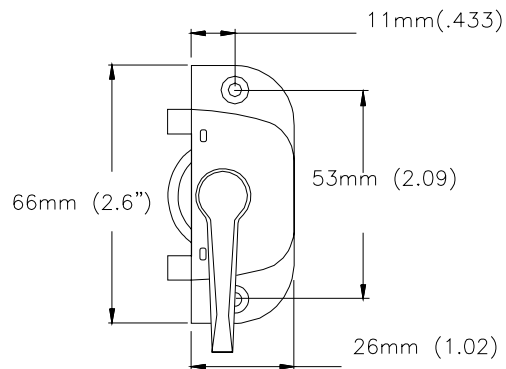
Kg. per Ctn: 10



Part Number: 136-100-OF—S. Lock Snap Back (Beige)

Qty/Ctn: 200

Kg. per Ctn: 12

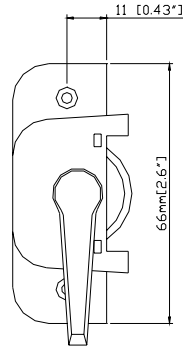


Silder Window - Locks & Keepers

Part Number: 136-101-FO—S. Lock Snap Back (Beige)

Qty/Ctn: 200

Kg. per Ctn: 12

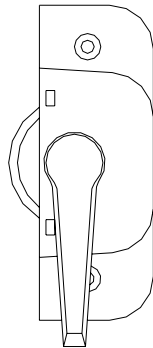


101-FO (Left hand)

Part Number: 136-200-OF—S. Lock Flush Back (Beige)

Qty/Ctn: 200

Kg. per Ctn: 12

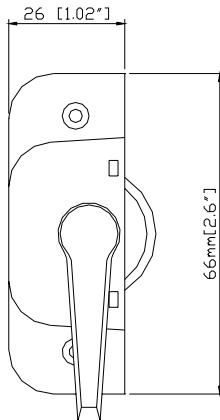


200-FO (Right hand)

Part Number: 136-201-FO—S. Lock Flush Back (Beige)

Qty/Ctn: 200

Kg. per Ctn: 12



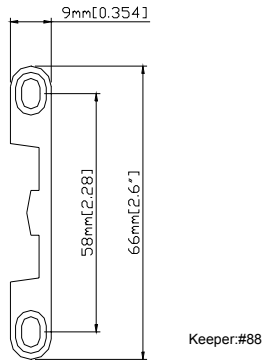
201-FO (Left hand)

Silder Window - Locks & Keepers

Part Number: 136-88—# 88 Keeper (Beige)

Qty/Ctn: 1,000

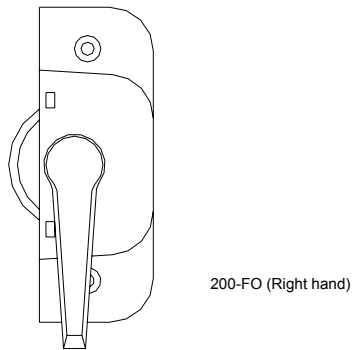
Kg. per Ctn: 13



Part Number: 137-200-OF—S. Lock Flush Back (Sandlewood)

Qty/Ctn: 200

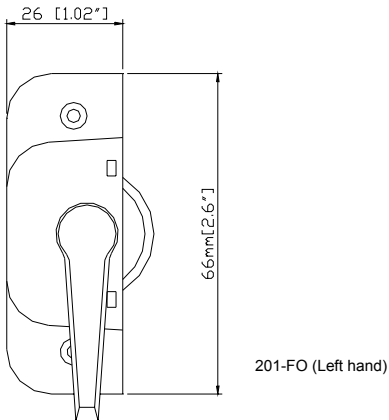
Kg. per Ctn: 12



Part Number: 137-201-FO—S. Lock Flush Back (Sandlewood)

Qty/Ctn: 200

Kg. per Ctn: 12

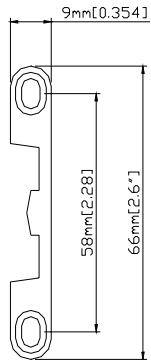


Silder Window - Locks & Keepers

Part Number: 137-88—# 88 Keeper Flush Back (Sandlewood)

Qty/Ctn: 1,000

Kg. per Ctn: 13



Keeper.#88

Silder Window - Locks & Keepers 16 Items

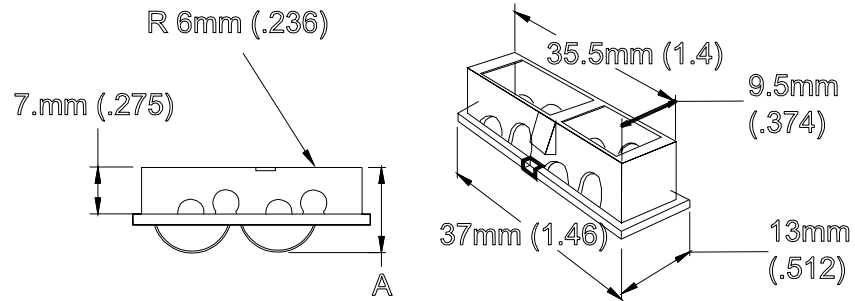
Slider Window Rollers/Wheels

**Part Number:** 2001-H—Snap in - Slider Wheel - High Setting

**Qty/Ctn:** 1,000

**Kg. per Ctn:** 15

**A = 6 mm (0.236")**

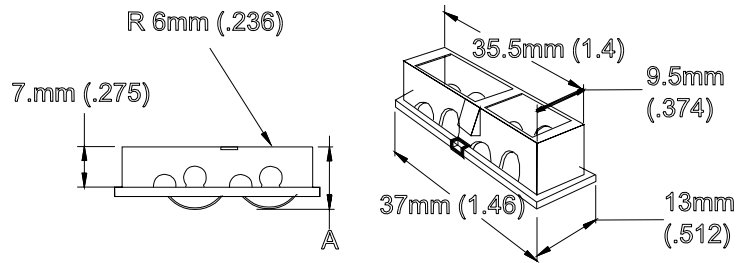


**Part Number:** 2001-L—Snap in - Slider Wheel - Low Setting

**Qty/Ctn:** 1,000

**Kg. per Ctn:** 15

**A = 4 mm (0.158")**

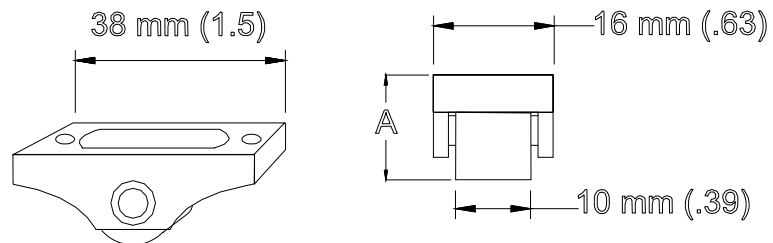


**Part Number:** 2012—Slider Wheel 12mm

**Qty/Ctn:** 1,000

**Kg. per Ctn:** 15

**A = 12 mm (0.47")**



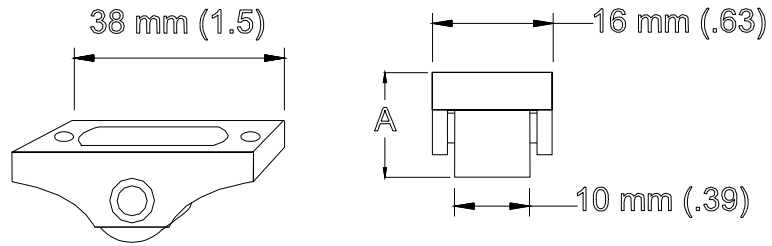
Slider Window Rollers/Wheels

Part Number: 2014—Slider Wheel 14mm

Qty/Ctn: 1,000

Kg. per Ctn: 15

A = 14 mm (0.55")

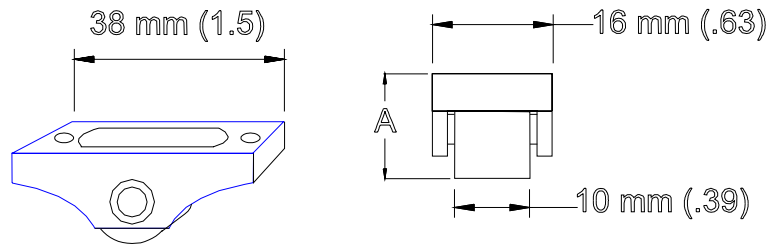


Part Number: 2018—Slider Wheel 18mm

Qty/Ctn: 1,000

Kg. per Ctn: 20

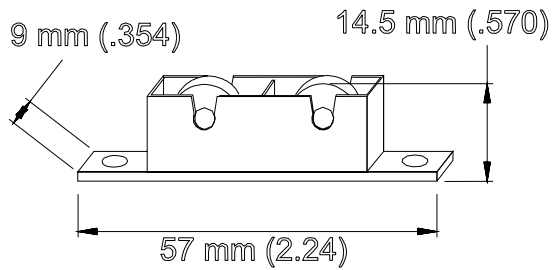
A = 18 mm (0.709")



Part Number: 2035—Slider Wheel 14mm (Double Brass)

Qty/Ctn: 1,000

Kg. per Ctn: 15

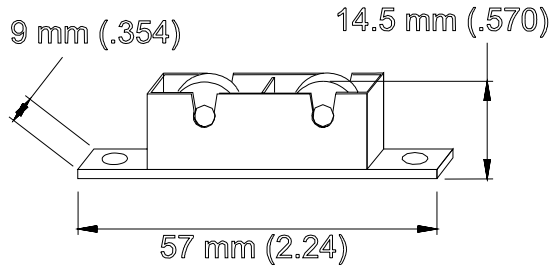


Slider Window Rollers/Wheels

**Part Number:** 2035-2—Slider Wheel 14mm (Chrome)

**Qty/Ctn:** 1,000

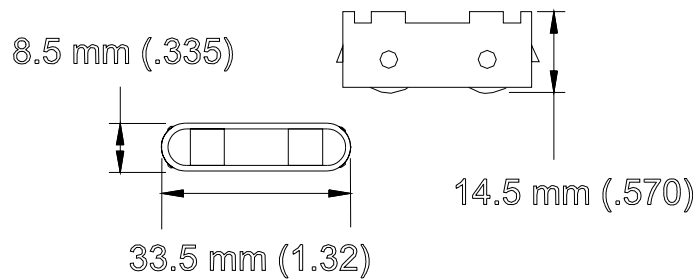
**Kg. per Ctn:** 15



**Part Number:** 2038—FG Snap in Slider Wheel 14mm

**Qty/Ctn:** 1,000

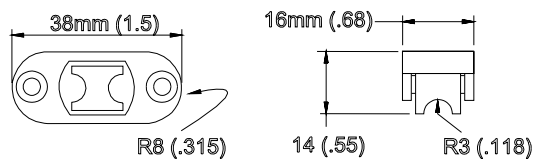
**Kg. per Ctn:** 15



**Part Number:** 2040—Slider Wheel 14mm - Concave

**Qty/Ctn:** 1,000

**Kg. per Ctn:** 10

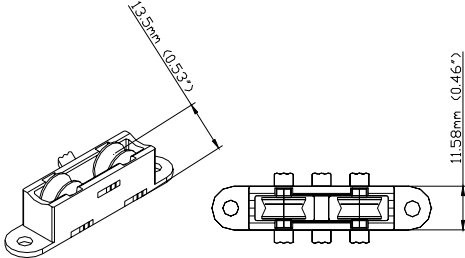


Slider Window Rollers/Wheels

Part Number: 206500—Concave Double Wheel - Chromed

Qty/Ctn: 1,000

Kg. per Ctn:



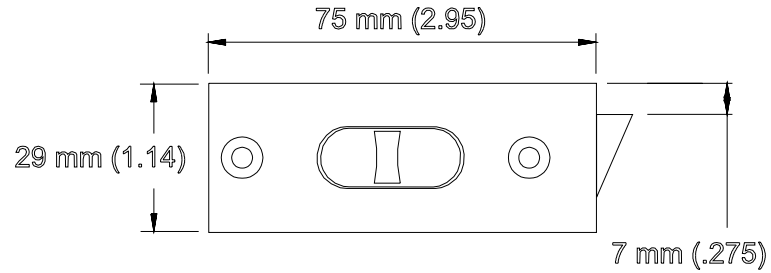
Slider Window Rollers/Wheels 10 Items

Slider Window's Accessories

Part Number: 20-015-L—Tilt Lacth - Left

Qty/Ctn: 200

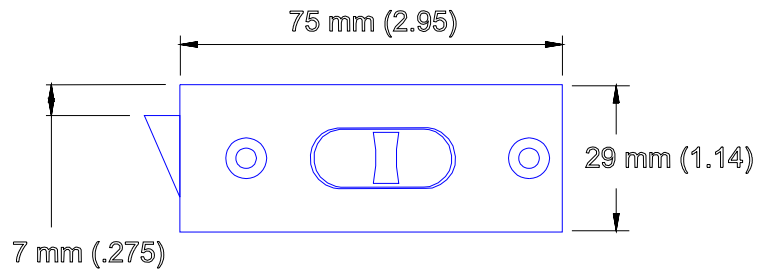
Kg. per Ctn: 1



Part Number: 20-015-R—Tilt Lacth - Right

Qty/Ctn: 200

Kg. per Ctn: 1



Part Number: 2050—Night Latch (Steel Reinforcement)

Qty/Ctn: 1,000

Kg. per Ctn: 5

